

**Universal Remote Control**

**8in1**

**Universal Fernbedienung**

Operating Instructions

**GB**

Bedienungsanleitung

**D**

Mode d'emploi

**F**

Istruzioni per l'uso

**I**

Gebruiksaanwijzing

**NL**

Instrukcja obsługi

**PL**

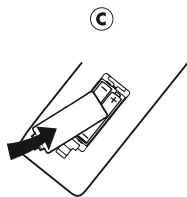
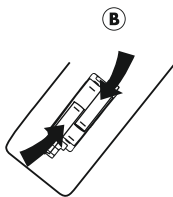
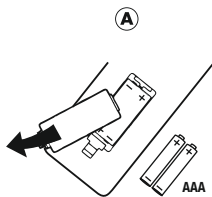
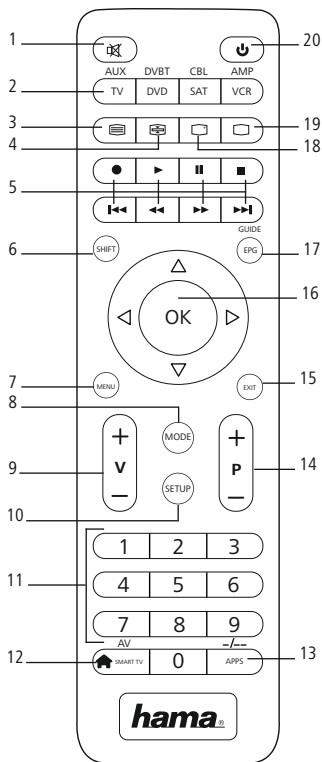
Návod k použití

**CZ**

Návod na použitie

**SK**





Thank you for your decision for a Hama product.  
Take your time and read the following instructions and information completely. Please keep these instructions in a safe place for future reference.

### Function buttons

1. Mute Switch
2. Device selection keys
3. Text ON: Switch on Teletext
4. Hold: Hold the current Teletext page
5. ◀◀ Rewind/red  
▶▶ Play/yellow  
▶▶▶ Fast forward/blue  
● Start recording  
■ Stop/green  
▬▬ Pause/magenta
6. Shift key
7. Menu: Open device menu
8. Mode key for selection of secondary device group
9. Vol+/Vol-: Volume control
10. Setup: Remote control settings
11. Number Keys 0-9
12. Smart TV: open smart TV menu (if supported by the terminal device)  
Shift+Smart TV: select external AV source
13. APPS: open app menu (if supported by the terminal device)  
Shift+APPS: switch to two-digit TV station numbers
14. PROG+/PROG-: Programme selection up/down
15. EXIT: exits device menu
16. OK: Confirms a selection
17. EPG: Electronic Programme Guide (if supported by selected AV device)
18. Info: On-Screen information (if supported by A/V device)
19. Text OFF: exits Teletext
20. Power: ON/OFF / LED indicator

### 1. Explanation of the Note symbol

#### Warning



This symbol is used to indicate safety instructions or to draw your attention to specific hazards and risks.

#### Note



This symbol is used to indicate additional information or important notes.

### 2. Package Contents

- Universal Remote Control (URC)
- Code List
- This operating instructions

### 3. Safety notes

- Do not use the Universal Remote Control in moist or wet environments and avoid spray-water contact.
- Do not expose the Universal Remote Control to heat sources or direct sunlight.
- Do not drop the Universal Remote Control.
- Never open the Universal Remote Control. It contains no user-serviceable parts.
- As with all electrical devices, keep the Universal Remote Control away from children.
- This product is intended for private, non-commercial use only.
- Use the product for its intended purpose only.
- Protect the product from dirt, moisture and overheating, and only use it in a dry environment.
- Do not use the product in areas where the use of electronic devices is not permitted.
- Do not drop the product and do not expose it to any major shocks.
- Do not modify the product in any way. Doing so voids the warranty.
- Keep the packaging material out of the reach of children due to the risk of suffocation.
- Dispose of packaging material immediately according to locally applicable regulations.
- Do not operate the product outside the power limits given in the specifications.
- Do not open the device or continue to operate it if it becomes damaged.
- Do not attempt to service or repair the product yourself. Leave any and all service work to qualified experts.
- Use the item only in moderate climatic conditions.

### Warning – Batteries



- When inserting batteries, note the correct polarity (+ and - markings) and insert the batteries accordingly. Failure to do so could result in the batteries leaking or exploding.
- Only use batteries (or rechargeable batteries) that match the specified type.
- Before you insert the batteries, clean the battery contacts and the polar contacts.
- Do not allow children to change batteries without supervision.
- Do not mix old and new batteries or batteries of a different type or make.
- Remove the batteries from products that are not being used for an extended period (unless these are being kept ready for an emergency).
- Do not short-circuit batteries.
- Do not charge batteries.
- Do not throw batteries in a fire.
- Keep batteries out of the reach of children.
- Never open, damage or swallow batteries or allow them to enter the environment. They can contain toxic, environmentally harmful heavy metals.
- Immediately remove and dispose of dead batteries from the product.
- Avoid storing, charging or using the device in extreme temperatures and extremely low atmospheric pressure (for example, at high altitudes).

### 4. Getting started – installing the Batteries

#### Note



- Alkaline batteries are recommended. Use 2 „AAA“ (LR 03/Micro) type batteries.
- Remove the battery compartment lid on the back of your URC (A).
- Check the required battery polarity and insert batteries according to the „+/-“ marks inside the compartment (B).
- Close battery compartment lid (C).

### Note – Code saver



Any codes you have programmed remain stored for up to 10 minutes while you replace the battery. Make sure you do not press any buttons before you have placed new batteries inside the remote control. All the codes will be erased if a button is pressed while there are no batteries in the remote control.

### Note – Battery saving function



The remote control switches off automatically when a button is pressed down for more than 15 seconds. This conserves battery power if the remote control gets stuck in a position where the buttons are continually pressed down, such as between sofa cushions.

### 5. Setup

#### Note



- To obtain a proper infrared (IR) transmission, always point your Remote control in the approximate direction of the device you want to control.
- Press the “MODE” key to select the secondary device group: AUX, AMP, DVB-T, CBL.
- Press the Shift key to operate the blue function keys. The Shift function deactivates by pressing the Shift key again, or automatically after approx. 30 sec. without use.
- No entry for approx. 30 seconds will time out the Setup mode. The LED indicator shows six flashes and turns off.
- Each device type can be programmed under any device key, i.e a TV can be programmed under DVD, AUX, etc.
- If you want to control a device, it's not possible while the Universal Remote Control is in the Setup Mode. Exit the Setup mode and select the device you want to control using the device selection keys.

## 5.1 Direct Code Entry

Your Universal Remote Control Package contains a code list. The code list shows 4-digit codes for most A/V device manufacturers in alphabetical order and grouped by device type (e.g. TV, DVD, etc.). If the device you want to control is covered by the code list, the Direct Code Entry is the most convenient entry method.

- 5.1.1 Turn on the device you want to control
- 5.1.2 Press the SETUP key until the LED indicator is permanently lit.
- 5.1.3 Select the device you want to control using the device key (e.g. TV). A successful selection is indicated by the LED with one flash followed by permanent light.
- 5.1.4 Check code list for brand and type of the device you want to control.
- 5.1.5 Enter the corresponding 4-digit code using the 0 – 9 keys. The LED indicator confirms each entered digit via a short flash and turns off after the fourth digit.

### Note

- If the code is valid, it is saved automatically.
- If code is invalid, the LED indicator flashes six times and then turns off. Repeat steps 5.1.1 to 5.1.5 or use a different code entry method.

## 5.2 Manual code search

Your Universal Remote Control is equipped with an internal memory, which is preloaded with up to 350 codes per device type for the most common A/V devices. You can zap through these codes until the device you want to control shows a reaction. This might be that the device you want to control switches off (POWER key) or changes the channel (PROG+/PROG- keys).

- 5.2.1 Turn on the device you want to control
- 5.2.2 Press the SETUP key until the LED indicator is permanently lit.
- 5.2.3 Select the device you want to control using the device key (e.g. TV). A successful selection is indicated by the LED with one flash followed by permanent light.
- 5.2.4 Press the "POWER" or the PROG+/PROG- key to zap through the preloaded codes until the device you want to control reacts.
- 5.2.5 Press MUTE(OK) to save the code and exit the code search. The LED indicator turns off.

### Note

Internal memory limitations allow only up to 350 most common device codes to be preloaded. Due to the extensive number of different available A/V devices on the market, it may be possible that only the most common main functions are available. If so, repeat steps 5.2.1 to 5.2.5 to find a more compatible code. No code may be available for some special device models.

## 5.3 Auto Code Search

Auto Code Search uses the same preloaded codes as the Manual Code Search (5.2) but your Universal Remote Control scans through the codes automatically until the device you want to control shows a reaction. This might be that the device you want to control switches off (POWER key) or changes the channel (P+/P- keys).

- 5.3.1 Turn on the device you want to control
- 5.3.2 Press the SETUP key until the LED indicator is permanently lit.
- 5.3.3 Select the device you want to control using the device key (e.g. TV). A successful selection is indicated by the LED with one flash followed by permanent light.
- 5.3.4 Press the PROG+/PROG- keys or POWER to start the Auto Code Search. The LED indicator flashes once followed by permanent light. The Universal Remote Control has a latency of 6 seconds before the first scan starts.

### Note – Scan Speed Settings

Scan Speed Settings can be set at either 1 or 3 seconds. The default setting for the scan time per single code is 1 sec. If this feels uncomfortable, you can switch to 3 sec. scan time per single code. To switch between the scan times, press PROG+ or PROG- during the 6 sec. latency before Auto Code Search starts scanning.

- 5.3.5 The LED indicator confirms each single code scan with a single flash.
- 5.3.6 Press MUTE(OK) to save the code and exit the code search. The LED indicator turns off.
- 5.3.7 To stop the Auto Code Search during the scan process, press the EXIT key.

## Note



When all codes are searched without success, the Universal Remote Control exits Auto Code Search and returns to operational mode automatically. Currently stored code is not changed.

## 5.4 Code Identification

The Code identification offers you the possibility, to determine an already entered code.

- 5.4.1 Press the SETUP key until the LED indicator is permanently lit.
- 5.4.2 Select the device you want to control using the device key (e.g. TV). A successful selection is indicated by the LED with one flash followed by permanent light.
- 5.4.3 Press SETUP key. The LED indicator flashes once followed by permanent light.
- 5.4.4 To find the first digit, press the numeric keys from 0 to 9. The LED indicator flashes once to indicate the first digit of the 4-digit code number.
- 5.4.5 Repeat step 5.4.4 for the second, third and fourth digit.

CODES			
TV	VCR	SAT	DVD
AUX	AMP	CBL	DVBT

## 6. Special Functions

### 6.1 Punch Through Channel

The Punch Through Channel allows the PROG+ or PROG- commands to bypass the currently controlled device and switch the channels on a second device. All other commands remain uninfluenced.

To activate the punch through channel setting:

- Press desired device mode key (e.g. TV).
- Press and hold "PROG+" key.
- Press desired device mode key (e.g. SAT).
- Release "PROG+" (the indicator flashes once if the setting is activated).

To deactivate the punch through channel setting:

- Press desired device mode key (e.g. TV).
- Press and hold "PROG-" key.
- Press desired device mode key (e.g. SAT).
- Release "PROG-" (the indicator is flashing twice if the setting is deactivated).

### 6.2 Punch Through Volume

The Punch Through Volume allows the VOL+ or VOL- commands to bypass the currently controlled device and adjust the volume on a second device. All other commands remain uninfluenced.

To activate the punch through volume setting:

- Press desired device mode key (e.g. TV).
- Press and hold "VOL+" key.
- Press desired device mode key (e.g. SAT).
- Release "VOL+" (the indicator flashes once if the setting is activated).

To deactivate the punch through volume setting:

- Press desired device mode key (e.g. TV).
- Press and hold "VOL-" key.
- Press desired device mode key (e.g. SAT).
- Release "VOL-" (the indicator is flashing twice if the setting is deactivated).

### 6.3 Macro Power

Macro Power enables you to turn two A/V devices on/off simultaneously.

To activate the macro power setting:

- Press desired device mode key (e.g. TV).
- Press and hold "POWER" key.
- Press desired device mode key (e.g. SAT).
- Release "POWER" (the indicator flashes once if the setting is activated).

To deactivate the macro power setting:

- Press desired device mode key (e.g. TV).
- Press and hold "POWER" key.
- Press desired device mode key (e.g. SAT).
- Release "POWER" (the indicator is flashing twice if the setting is deactivated).

---

## 7. Maintenance

- Do not mix new and used batteries for powering the Universal Remote Control, as old batteries tend to leak and may cause power drain.
- Do not use corrosive or abrasive cleaners on your Universal Remote Control.
- Keep the Universal Remote Control dust free by wiping it with a soft, dry cloth.

## 8. Troubleshooting

- Q. My Universal Remote Control does not work at all!
- A. Check your A/V device. If the device's main switch is turned off, your URC cannot operate your device.
- A. Check whether your batteries are inserted properly and are in the correct +/- position.
- A. Check whether you have pressed the corresponding device mode key for your device.
- A. If the batteries are low, replace the batteries.
- Q. If several Device Codes are listed under the brand of my A/V device, how can I select the correct Device Code?
- A. To determine the correct Device Code for your A/V device, test the codes one by one until most keys work properly.
- Q. My A/V equipment responds only to some of the commands.
- A. Try other codes until most keys work properly.

## 9. Recycling Information

### Note on environmental protection:



After the implementation of the European Directive 2012/19/EU and 2006/66/EU in the national legal system, the following applies: Electric and electronic devices as well as batteries must not be disposed of with household waste. Consumers are obliged by law to return electrical and electronic devices as well as batteries at the end of their service lives to the public collecting points set up for this purpose or point of sale. Details to this are defined by the national law of the respective country. This symbol on the product, the instruction manual or the package indicates that a product is subject to these regulations. By recycling, reusing the materials or other forms of utilising old devices/batteries, you are making an important contribution to protecting our environment.

Danke, dass Sie sich für den Kauf eines Hama-Produkts entschieden haben.

Nehmen Sie sich die Zeit, und lesen Sie die folgenden Anweisungen und Informationen vollständig durch. Bitte bewahren Sie diese Anleitung zum späteren Nachschlagen an einem sicheren Platz auf.

## Funktionstasten

1. Stummschalter
2. Tasten zur Geräteauswahl
3. Text EIN: Teletext einschalten
4. Halten: Aktuelle Teletextseite halten
- ◀ Rücklauf/rot
  - ▶ Wiedergabe/gelb
  - ▶▶ Schneller Vorlauf/blau
  - Aufnahme starten
  - Stopp/grün
  - ▨ Pause/magenta
5. Shift-Taste
6. Menu: Gerätemenü öffnen
7. Modustaste zur Auswahl der sekundären Gerätegruppe
8. Vol+/Vol-: Lautstärkeregulierung
9. Setup: Einstellungen der Fernbedienung
10. Zifferntasten 0-9
11. Smart TV: Smart TV Menü öffnen (wenn vom Endgerät unterstützt)  
Shift+Smart TV: externe AV Quelle wählen
12. APPS: App-Menü öffnen (wenn vom Endgerät unterstützt)  
Shift+APPS : Zu zweistelligen Sendernummern wechseln
13. PROG+/PROG-: Programmauswahl, nach oben/nach unten
14. EXIT: Gerätemenü verlassen
15. OK: Auswahl bestätigen
16. EPG: Elektronischer Programmführer (wenn vom ausgewählten AV-Gerät unterstützt)
17. 18. Info: On-Screen-Informationen (wenn vom AV-Gerät unterstützt)
18. Text AUS: Teletext verlassen
19. 20. Power: EIN/AUS / LED

## 1. Erläuterung des Hinweissymbols

### Warnung



Wird verwendet, um Sicherheitshinweise zu kennzeichnen oder um Aufmerksamkeit auf besondere Gefahren und Risiken zu lenken.

### Hinweis



Wird verwendet, um zusätzlich Informationen oder wichtige Hinweise zu kennzeichnen.

## 2. Lieferumfang

- Universal-Fernbedienung
- Codeliste
- Diese Bedienungsanleitung

## 3. Sicherheitshinweise

- Verwenden Sie die Universal-Fernbedienung nicht in feuchten Umgebungen, und vermeiden Sie Kontakt mit Spritzwasser.
- Halten Sie die Universal-Fernbedienung von Wärmequellen fern, und setzen Sie sie keinem direkten Sonnenlicht aus.
- Lassen Sie die Universal-Fernbedienung nicht fallen.
- Öffnen Sie die Universal-Fernbedienung nicht. Sie enthält keine vom Benutzer zu wartenden Teile.
- Die Universal-Fernbedienung gehört wie alle elektrischen Geräte nicht in Kinderhände.
- Das Produkt ist für den privaten, nicht-gewerblichen Gebrauch vorgesehen.
- Verwenden Sie das Produkt ausschließlich für den dazu vorgesehenen Zweck.
- Schützen Sie das Produkt vor Schmutz, Feuchtigkeit und Überhitzung und verwenden Sie es nur in trockenen Räumen.
- Benutzen Sie das Produkt nicht in Bereichen, in denen elektronische Produkte nicht erlaubt sind.
- Lassen Sie das Produkt nicht fallen und setzen Sie es keinen heftigen Erschütterungen aus.
- Nehmen Sie keine Veränderungen am Produkt vor. Dadurch verlieren Sie jegliche Gewährleistungsansprüche.
- Halten Sie Kinder unbedingt von dem Verpackungsmaterial fern, es besteht Erstickungsgefahr.
- Entsorgen Sie das Verpackungsmaterial sofort gemäß den örtlich gültigen Entsorgungsvorschriften.
- Betreiben Sie das Produkt nicht außerhalb seiner in den technischen Daten angegebenen Leistungsgrenzen.
- Öffnen Sie das Produkt nicht und betreiben Sie es bei Beschädigungen nicht weiter.
- Versuchen Sie nicht, das Produkt selbst zu warten oder zu reparieren. Überlassen Sie jegliche Wartungsarbeit dem zuständigen Fachpersonal.
- Verwenden Sie den Artikel nur unter moderaten klimatischen Bedingungen.



## Warnung – Batterien



- Beachten Sie unbedingt die korrekte Polarität (Beschriftung + und -) der Batterien und legen Sie diese entsprechend ein. Bei Nichtbeachtung besteht die Gefahr des Auslaufens oder einer Explosion der Batterien.
- Verwenden Sie ausschließlich Akkus (oder Batterien), die dem angegebenen Typ entsprechen.
- Reinigen Sie vor dem Einlegen der Batterien die Batteriekontakte und die Gegenkontakte.
- Gestatten Sie Kindern nicht ohne Aufsicht das Wechseln von Batterien.
- Mischen Sie alte und neue Batterien nicht, sowie Batterien unterschiedlichen Typs oder Herstellers.
- Entfernen Sie Batterien aus Produkten, die längere Zeit nicht benutzt werden (außer diese werden für einen Notfall bereit gehalten).
- Schließen Sie die Batterien nicht kurz.
- Laden Sie Batterien nicht.
- Werfen Sie Batterien nicht ins Feuer.
- Bewahren Sie Batterien außerhalb der Reichweite von Kindern auf.
- Batterien nie öffnen, beschädigen, verschlucken oder in die Umwelt gelangen lassen. Sie können giftige und umweltschädliche Schwermetalle enthalten.
- Entfernen und entsorgen Sie verbrauchte Batterien unverzüglich aus dem Produkt.
- Vermeiden Sie Lagerung, Laden und Benutzung bei extremen Temperaturen und extrem niedrigem Luftdruck (wie z.B. in großen Höhen).

## 4. Erste Schritte – Einsetzen der Batterien

### Hinweis



- Es werden Alkalibatterien empfohlen. Verwenden Sie zwei Batterien vom Typ „AAA“ (LR 03/Micro).
- Entfernen Sie die Batteriefachabdeckung auf der Rückseite der Universal-Fernbedienung (A).
- Setzen Sie die Batterien unter Berücksichtigung der „+/-“-Markierungen für die Polarität ein (B).
- Schließen Sie das Batteriefach (C).

## Hinweis – Codespeicher



Beim Ersetzen der Batterien bleiben alle von Ihnen programmierten Codes bis zu 10 Minuten gespeichert. Achten Sie darauf, dass Sie keine Tasten drücken, bis die neuen Batterien in der Fernbedienung eingesetzt sind. Wenn Sie eine Taste drücken und sich keine Batterien in der Fernbedienung befinden, werden alle Codes gelöscht.

## Hinweis – Energiesparfunktion



Die Fernbedienung schaltet sich automatisch aus, wenn eine Taste länger als 15 Sekunden gedrückt wird. Dies verlängert die Lebensdauer der Batterien, sollte die Fernbedienung an einer Stelle feststecken, an der die Tasten dauerhaft gedrückt werden, z. B. zwischen Sofakissen.

## 5. Setup

### Hinweis



- Halten Sie die Fernbedienung für eine ordnungsgemäße Infrarotübertragung immer in die ungefähre Richtung des zu bedienenden Geräts.
- Drücken Sie die „MODE“-Taste zur Auswahl der sekundären Geräte-Gruppe: AUX, AMP, DVB-T, CBL.
- Drücken Sie die „SHIFT“-Taste zur Steuerung der blauen Funktions-Tasten. Die Shift-Funktion wird durch erneutes Drücken der „SHIFT“-Taste deaktiviert oder automatisch nach 30 Sekunden wenn keine Taste gedrückt wird.
- Falls innerhalb von 30 Sekunden keine Eingabe erfolgt, wird der SETUP-Mode automatisch beendet. Die LED blinkt sechsmal und geht dann aus.
- Jeder Gerätetyp kann unter einer beliebigen Gerätetaste programmiert werden, z. B. kann ein Fernseher unter DVD, AUX usw. programmiert werden.
- Sie können mit der Universal-Fernbedienung kein Gerät bedienen, solange sich diese im Setup-Modus befindet. Verlassen Sie den Setup-Modus, und wählen Sie das zu bedienende Gerät über die Tasten zur Geräteauswahl aus.

## 5.1 Direkte Codeeingabe

Im Lieferumfang der Universal-Fernbedienung ist eine Codeliste enthalten. Die Codeliste zeigt vierstellige Codes der meisten AV-Gerätehersteller in alphabetischer Reihenfolge an, gruppiert nach Gerätetyp (z. B. TV, DVD usw.). Wenn das zu bedienende Gerät in der Codeliste enthalten ist, ist die direkte Codeeingabe die einfachste Eingabemethode.

- 5.1.1 Schalten Sie das zu bedienende Gerät ein.
- 5.1.2 Drücken Sie die Taste „SETUP“, bis die LED dauerhaft leuchtet.
- 5.1.3 Wählen Sie über die Gerätetaste das zu bedienende Gerät aus (z. B. TV). Bei erfolgreicher Auswahl blinkt die LED einmal und leuchtet danach dauerhaft.
- 5.1.4 Suchen Sie in der Codeliste nach Marke und Typ des zu bedienenden Geräts.
- 5.1.5 Geben Sie den entsprechenden vierstelligen Code über die Zifferntasten 0-9 ein. Die LED bestätigt die Eingabe der einzelnen Ziffern jeweils mit einem kurzen Blinken und erlischt nach der vierten Ziffer.

### Hinweis

- Ein gültiger Code wird automatisch gespeichert.
- Bei einem ungültigen Code blinkt die LED sechsmal und erlischt anschließend. Wiederholen Sie die Schritte 5.1.1 bis 5.1.5, oder verwenden Sie eine andere Methode zur Codeeingabe.

## 5.2 Manuelle Codesuche

Die Universal-Fernbedienung verfügt über einen internen Speicher, in dem bereits bis zu 350 Codes pro Gerätetyp für die gängigsten AV-Geräte enthalten sind. Sie können diese Codes durchgehen, bis das zu bedienende Gerät eine Reaktion zeigt. Beispielsweise schaltet sich das zu bedienende Gerät aus (Taste „POWER“) oder wechselt den Sender (Taste „PROG+/PROG-“).

- 5.2.1 Schalten Sie das zu bedienende Gerät ein.
- 5.2.2 Drücken Sie die SETUP-Taste, bis die LED dauerhaft leuchtet.
- 5.2.3 Wählen Sie über die Gerätetaste das zu bedienende Gerät aus (z. B. TV). Bei erfolgreicher Auswahl blinkt die LED einmal und leuchtet danach dauerhaft.
- 5.2.4 Drücken Sie die Taste „POWER“ oder „PROG+/PROG-“, um durch die voreingestellten Codes zu blättern, bis das zu bedienende Gerät eine Reaktion zeigt.

- 5.2.5 Drücken Sie „MUTE(OK)“, um den Code zu speichern und die Codesuche zu verlassen. Die LED erlischt.

### Hinweis

Im internen Speicher können maximal 350 Codes der gängigsten Geräte gespeichert werden. Aufgrund der zahlreichen auf dem Markt erhältlichen AV-Geräte kann es passieren, dass nur die gängigsten Hauptfunktionen verfügbar sind. Ist dies der Fall, wiederholen Sie die Schritte 5.2.1 bis 5.2.5, um einen kompatibleren Code zu finden. Für einige spezielle Gerätemodelle ist möglicherweise kein Code verfügbar.

## 5.3 Automatische Codesuche

Die automatische Codesuche verwendet dieselben voreingestellten Codes wie die manuelle Codesuche (5.2). Die Universal-Fernbedienung durchsucht die Codes jedoch automatisch, bis das zu bedienende Gerät eine Reaktion zeigt. Beispielsweise schaltet sich das zu bedienende Gerät aus (Taste „POWER“) oder wechselt den Sender (Tasten „PROG+/PROG-“).

- 5.3.1 Schalten Sie das zu bedienende Gerät ein.
- 5.3.2 Drücken Sie die Taste „SETUP“, bis die LED dauerhaft leuchtet.
- 5.3.3 Wählen Sie über die Gerätetaste das zu bedienende Gerät aus (z. B. TV). Bei erfolgreicher Auswahl blinkt die LED einmal und leuchtet danach dauerhaft.
- 5.3.4 Drücken Sie die Taste „PROG+/PROG-“ oder „POWER“, um die automatische Codesuche zu starten. Die LED blinkt einmal und leuchtet danach dauerhaft. Es dauert 6 Sekunden, bis die Universal-Fernbedienung mit der ersten Suche beginnt.

### Hinweis – Einstellen der Suchgeschwindigkeit

Die Standardeinstellung für die Suchzeit pro Code ist 1 Sekunde. Wenn Ihnen dies nicht zusagt, können Sie zu einer Suchzeit von 3 Sekunden pro Code wechseln. Um zwischen den Suchzeiten zu wechseln, drücken Sie „PROG+“ oder „PROG-“ innerhalb der 6 Sekunden vor dem Beginn der automatischen Codesuche.

- 5.3.5 Die LED bestätigt die jeweiligen Codesuchen mit einem einzelnen Blinken.
- 5.3.6 Drücken Sie „MUTE(OK)“, um den Code zu speichern und die Codesuche zu verlassen. Die LED erlischt.
- 5.3.7 Um die automatische Suche während des Suchvorgangs abubrechen, drücken Sie die Taste „EXIT“.

## Hinweis



Wenn alle Codes ohne Erfolg durchsucht wurden, verlässt die Universal-Fernbedienung die automatische Codesuche und kehrt automatisch in den Betriebsmodus zurück. Der aktuell gespeicherte Code bleibt unverändert.

## 5.4 Codeerkennung

Die Codeerkennung bietet Ihnen die Möglichkeit, einen bereits eingegebenen Code zu ermitteln.

- 5.4.1 Drücken Sie die Taste „SETUP“, bis die LED dauerhaft leuchtet.
- 5.4.2 Wählen Sie über die Gerätetaste das zu bedienende Gerät aus (z. B. TV). Bei erfolgreicher Auswahl blinkt die LED einmal und leuchtet danach dauerhaft.
- 5.4.3 Drücken Sie die Taste „SETUP“. Die LED blinkt einmal und leuchtet danach dauerhaft.
- 5.4.4 Drücken Sie zur Suche der ersten Ziffer eine der Nummertasten von 0 bis 9. Die LED blinkt einmal für die erste Ziffer der vierstelligen Codenummer.
- 5.4.5 Wiederholen Sie den Schritt 5.4.4 für die zweite, dritte und vierte Ziffer.

CODES			
TV	VCR	SAT	DVD
AUX	AMP	CBL	DVBT

## 6. Sonderfunktionen

### 6.1 Sender-Punch-Through

Mit der Sender-Punch-Through-Funktion können die Befehle PROG+ oder PROG- das aktuell gesteuerte Gerät umgehen, und die Sender eines zweiten Gerätes wechseln. Alle anderen Befehle sind davon nicht betroffen.

So aktivieren Sie die Sender-Punch-Through-Funktion:

- Drücken Sie die gewünschte Gerätetaste (z.B. TV).
- Halten Sie die Taste „PROG+“ gedrückt.
- Drücken Sie die gewünschte Gerätetaste (z.B. SAT).
- Lassen Sie die Taste „PROG+“ wieder los (die LED blinkt einmal bei aktivierter Einstellung).

So deaktivieren Sie die Sender-Punch-Through-Funktion:

- Drücken Sie die gewünschte Gerätetaste (z.B. TV).
- Halten Sie die Taste „PROG-“ gedrückt.
- Drücken Sie die gewünschte Gerätetaste (z.B. SAT).
- Lassen Sie die Taste „PROG-“ wieder los (die LED blinkt zweimal wenn die Einstellung deaktiviert wird).

### 6.2 Lautstärke-Punch-Through

Mit der Lautstärke-Punch-Through-Funktion können die Befehle VOL+ oder VOL- das aktuell gesteuerte Gerät umgehen, und die Lautstärke eines zweiten Gerätes einstellen. Alle anderen Befehle sind davon nicht betroffen.

So aktivieren Sie die Lautstärke-Punch-Through-Funktion:

- Drücken Sie die gewünschte Gerätetaste (z.B. TV).
- Halten Sie die Taste „VOL+“ gedrückt.
- Drücken Sie die gewünschte Gerätetaste (z.B. SAT).
- Lassen Sie die Taste „VOL+“ wieder los (die LED blinkt einmal bei aktivierter Einstellung).

So deaktivieren Sie die Sender-Punch-Through-Funktion:

- Drücken Sie die gewünschte Gerätetaste (z.B. TV).
- Halten Sie die Taste „VOL-“ gedrückt.
- Drücken Sie die gewünschte Gerätetaste (z.B. SAT).
- Lassen Sie die Taste „VOL-“ wieder los (die LED blinkt zweimal wenn die Einstellung deaktiviert wird).

### 6.3 Macro Power

Mit Macro Power können Sie zwei AV-Geräte gleichzeitig ein-/ ausschalten.

So aktivieren Sie die Macro Power-Funktion:

- Drücken Sie die gewünschte Gerätetaste (z.B. TV).
- Halten Sie die Taste „POWER“ gedrückt.
- Drücken Sie die gewünschte Gerätetaste (z.B. SAT).
- Lassen Sie die Taste „POWER“ wieder los (die LED blinkt einmal bei aktivierter Einstellung).

So deaktivieren Sie die Macro Power-Funktion:

- Drücken Sie die gewünschte Gerätetaste (z.B. TV).
- Halten Sie die Taste „POWER“ gedrückt.
- Drücken Sie die gewünschte Gerätetaste (z.B. SAT).
- Lassen Sie die Taste „POWER“ wieder los (die LED blinkt zweimal wenn die Einstellung deaktiviert wird)

---

## 7. Wartung

- Verwenden Sie nie gleichzeitig alte und neue Batterien in der Universal-Fernbedienung, da alte Batterien zum Auslaufen neigen und zu einem Leistungsverlust führen können.
- Reinigen Sie die Universal-Fernbedienung keinesfalls mit Scheuermitteln oder scharfen Reinigungsmitteln.
- Halten Sie die Universal-Fernbedienung frei von Staub, indem Sie sie mit einem trockenen weichen Tuch reinigen.

## 8. Fehlerbehebung

- F. Meine Universal-Fernbedienung funktioniert nicht!
- A. Überprüfen Sie das AV-Gerät. Wenn der Hauptschalter des Geräts ausgeschaltet ist, kann die Universal-Fernbedienung das Gerät nicht bedienen.
- A. Überprüfen Sie, dass die Batterien korrekt eingesetzt sind und die Polarität beachtet wurde.
- A. Überprüfen Sie, ob Sie die entsprechende Gerätetaste für das Gerät gedrückt haben.
- A. Tauschen Sie die Batterien bei niedrigem Batteriestand aus.
- F. Wenn für die Marke meines AV-Geräts mehrere Gerätecodes aufgelistet sind, wie wähle ich den korrekten Gerätecode aus?
- A. Um den korrekten Gerätecode für das AV-Gerät zu bestimmen, testen Sie die Codes nacheinander, bis die meisten Tasten ordnungsgemäß funktionieren.
- F. Mein AV-Gerät reagiert nur auf einige Tastenbefehle.
- A. Probieren Sie andere Codes, bis die meisten Tasten ordnungsgemäß funktionieren.

## 9. Entsorgungshinweise

### Hinweis zum Umweltschutz:



Ab dem Zeitpunkt der Umsetzung der europäischen Richtlinien 2012/19/EU und 2006/66/EG in nationales Recht gilt folgendes: Elektrische und elektronische Geräte sowie Batterien dürfen nicht mit dem Hausmüll entsorgt werden. Der Verbraucher ist gesetzlich verpflichtet, elektrische und elektronische Geräte sowie Batterien am Ende ihrer Lebensdauer an den dafür eingerichteten, öffentlichen Sammelstellen oder an die Verkaufsstelle zurückzugeben. Einzelheiten dazu regelt das jeweilige Landesrecht. Das Symbol auf dem Produkt, der Gebrauchsanleitung oder der Verpackung weist auf diese Bestimmungen hin. Mit der Wiederverwertung, der stofflichen Verwertung oder anderen Formen der Verwertung von Altgeräten/Batterien leisten Sie einen wichtigen Beitrag zum Schutz unserer Umwelt.

Nous vous remercions d'avoir choisi un produit Hama. Veuillez prendre le temps de lire l'ensemble des consignes et informations suivantes. Veuillez conserver ces instructions dans un endroit sûr afin de pouvoir les consulter en cas de besoin.

## Touches de fonction

1. Commutateur sourdine
  2. Touches de sélection de l'appareil
  3. Texte ON : activation du télétexte
  4. Pause : pause sur la page télétexte actuelle
- ◀ retour rapide / voyant rouge
- ▶ lecture / voyant jaune
  - ▶▶ avance rapide / voyant bleu
  - démarrage de l'enregistrement
  - stop / voyant vert
  - ▨ pause / voyant magenta
5. Touche Shift
  6. Menu: ouverture du menu de l'appareil
  7. Touche de mode pour la sélection du deuxième groupe d'appareils
  8. Vol+ / Vol- : réglage du volume
  9. Configuration : paramètres de la télécommande
  10. Bloc numérique 0-9
  11. Smart TV : Ouvrir le menu Smart TV (si supporté par l'appareil)  
Shift+Smart TV : sélection de la source AV externe
  12. APPLIS : Ouvrir le menu de l'application (si supporté par l'appareil)  
Shift+APPLIS : Sélection de numéros de stations à deux chiffres
  13. PROG+ / PROG- : sélection du programme vers le haut / vers le bas
  14. EXIT : quitter le menu de l'appareil
  15. OK : confirmer la sélection
  16. EPG : guide électronique de programmes (si pris en charge par l'appareil AV)
  17. 18. Info : informations à l'écran (si pris en charge par l'appareil AV)
  18. 19. Texte OFF : désactivation du télétexte
  19. 20. Alimentation : MARCHE / ARRÊT / LED

## 1. Explication des symboles

### Avertissement



Ce symbole est utilisé pour indiquer des consignes de sécurité ou pour attirer votre attention sur des dangers et risques particuliers.

### Remarque



Ce symbole est utilisé pour indiquer des informations supplémentaires ou des remarques importantes.

## 2. Matériel livré

- Télécommande universelle
- Liste de codes
- Mode d'emploi

## 3. Consignes de sécurité

- N'utilisez pas la télécommande universelle dans un environnement humide et évitez toute projection d'eau.
- Protégez votre télécommande universelle de toute source de chaleur et ne l'exposez pas aux rayons directs du soleil.
- Ne laissez pas votre télécommande tomber par terre.
- N'ouvrez pas votre télécommande ; elle ne comprend aucune pièce nécessitant un entretien.
- Cette télécommande universelle, comme tout autre appareil électrique, ne doit pas se trouver à portée des enfants.
- Ce produit est destiné à un usage domestique non commercial.
- Utilisez le produit exclusivement conformément à sa destination.
- Protégez le produit de toute saleté, humidité, surchauffe et utilisez-le uniquement dans des locaux secs.
- N'utilisez pas le produit dans les zones dans lesquelles l'utilisation d'appareils électroniques est interdite.
- Protégez le produit des secousses violentes et évitez tout choc ou toute chute.
- N'apportez aucune modification à l'appareil. Des modifications vous feraient perdre vos droits de garantie.
- Tenez les emballages d'appareils hors de portée des enfants, risque d'étouffement.
- Recyclez les matériaux d'emballage conformément aux prescriptions locales en vigueur.
- N'utilisez pas le produit en dehors des limites de puissance indiquées dans les caractéristiques techniques.
- Ne tentez pas d'ouvrir le produit en cas de détérioration et cessez de l'utiliser.
- Ne tentez pas de réparer l'appareil vous-même ni d'effectuer des travaux d'entretien. Déléguez tous travaux d'entretien à des techniciens qualifiés.
- Utilisez l'article uniquement dans des conditions climatiques modérées.

#### Avertissement – concernant les piles



- Respectez impérativement la polarité de la pile (marquage + et -) lors de l'insertion dans le boîtier ; risques d'écoulement et d'explosion des piles si tel n'est pas le cas.
- Utilisez exclusivement des batteries (ou des piles) du type indiqué.
- Avant d'insérer les piles, nettoyez-en les contacts, ainsi que les contacts d'accouplement.
- N'autorisez pas à des enfants de remplacer les piles d'un appareil sans surveillance.
- N'utilisez pas simultanément des piles usagées et des piles neuves ou des piles de différents types.
- Retirez les piles des produits que vous ne comptez pas utiliser pendant un certain temps (à l'exception des produits d'alarme en veille).
- Ne court-circuitez pas les piles.
- Ne tentez pas de recharger les piles.
- Ne jetez pas de piles au feu.
- Conservez les piles hors de portée des enfants.
- Ne tentez pas d'ouvrir les piles, faites attention à ne pas les endommager, les jeter dans l'environnement et à ce que des petits enfants ne les avalent pas. Les piles sont susceptibles de contenir des métaux lourds toxiques et nocifs pour l'environnement.
- Retirez les piles usagées immédiatement du produit pour les recycler.
- Évitez de stocker, charger et utiliser le produit à des températures extrêmes et à une pression atmosphérique extrêmement basse (à haute altitude, par exemple).

#### 4. Premiers pas - insertion des piles

##### Remarque – mémoire des codes



- Nous vous recommandons d'utiliser des piles alcalines. Utilisez 2 piles LR03 (AAA / Micro).
- Ouvrez le couvercle du compartiment à piles sur la face arrière de la télécommande.
- Insérez deux piles dans le logement en respectant les indications de polarité (+/-).
- Refermez le compartiment à piles.

##### Remarque – Fonction d'économie des piles



La télécommande se met automatiquement hors service lorsque vous appuyez sur une touche pendant plus de 15 secondes. Cette fonction permet de ne pas vider les piles de votre télécommande si cette dernière est coincée (entre les coussins d'un divan, par exemple) et qu'une touche reste enfoncée.

#### 5. Configuration

##### Remarque



- Pointez la télécommande en direction de l'appareil que vous désirez piloter afin de garantir une excellente transmission infrarouge.
- Appuyez sur la touche « MODE » afin de sélectionner le deuxième groupe d'appareils : AUX, AMP, DVB-T, CBL.
- Appuyez sur la touche Shift afin d'utiliser les touches de fonction bleues. Vous pouvez désactiver la fonction Shift en appuyant à nouveau sur la touche Shift ; elle se désactive automatiquement si vous n'appuyez sur aucune touche pendant 30 secondes.
- Le mode de configuration s'interrompt automatiquement lorsque vous n'appuyez sur aucune touche pendant plus de 30 secondes.
- La LED clignote six fois, puis s'éteint.
- Vous pouvez programmer chaque type d'appareil à l'aide de n'importe quelle touche ; vous pouvez, par exemple, programmer un téléviseur sous DVD, AUX etc.
- Vous ne pouvez pas piloter un appareil à l'aide de la télécommande lorsqu'il se trouve en mode de configuration. Vous pouvez quitter le mode de configuration et sélectionner l'appareil que vous désirez piloter à l'aide des touches de sélection de l'appareil.

#### 5.1 Saisie directe du code

Une liste de codes fait partie des éléments fournis avec la télécommande. La liste de codes comprend des codes de quatre chiffres provenant de la plupart des constructeurs d'appareils AV classés par ordre alphabétique, groupés par type d'appareils (TV, DVD, etc.). La saisie directe du code est la méthode la plus simple dans le cas où le code de votre appareil est compris dans la liste.

- 5.1.1 Mettez l'appareil que vous désirez utiliser sous tension.
- 5.1.2 Appuyez sur la touche « SETUP » jusqu'à ce que la LED s'allume en permanence.
- 5.1.3 Sélectionnez l'appareil que vous désirez piloter (TV, etc.) à l'aide de la touche de l'appareil. La LED clignote une fois, puis s'allume en permanence en cas de sélection correcte.
- 5.1.4 Recherchez le code de l'appareil que vous désirez utiliser à l'aide de la liste des codes par marque et par type.
- 5.1.5 Saisissez ensuite le code à quatre chiffres correspondant à l'aide du bloc numérique 0-9. La LED confirme la saisie de chaque chiffre en clignotant brièvement, puis s'éteint après le quatrième chiffre.

#### Remarque



- Un code valide est sauvegardé automatiquement.
- En cas de code erroné, la LED clignote six fois, puis s'éteint. Répétez les étapes 5.1.1 à 5.1.5 ou utilisez une autre méthode pour la saisie du code.

### 5.2 Recherche manuelle du code

La télécommande dispose d'une mémoire interne contenant jusqu'à 350 codes par type d'appareil adaptés à tous les appareils AV courants. Vous pouvez passer tous ces codes en revue jusqu'à ce que l'appareil que vous désirez utiliser réagisse ; l'appareil se met, par exemple, hors tension (touche « POWER ») ou change de station (touche « PROG+ / PROG- »).

- 5.2.1 Mettez l'appareil que vous désirez utiliser sous tension.
- 5.2.2 Appuyez sur la touche « SETUP » jusqu'à ce que la LED s'allume en permanence.
- 5.2.3 Sélectionnez l'appareil que vous désirez piloter (TV, etc.) à l'aide de la touche de l'appareil. La LED clignote une fois, puis s'allume en permanence en cas de sélection correcte.
- 5.2.4 Appuyez sur la touche « POWER » ou « PROG+ / PROG- » afin de faire défiler les codes présélectionnés jusqu'à ce que l'appareil que vous désirez utiliser réagisse.
- 5.2.5 Appuyez sur la touche « MUTE (OK) » afin de sauvegarder le code et quitter la recherche du code ; la LED s'éteint.

#### Remarque



La télécommande dispose d'une mémoire interne contenant 350 codes adaptés aux appareils AV courants. En raison de la quantité d'appareils AV disponibles sur le marché, il est possible que seules les fonctions principales soient disponibles. Si tel est le cas, répétez les étapes 5.2.1 à 5.2.5 afin de trouver un code compatible. Il est possible qu'aucun code ne fonctionne pour certains modèles spéciaux.

### 5.3 Recherche automatique du code

La recherche automatique du code utilise les mêmes codes présélectionnés que ceux de la recherche manuelle (5.2). La télécommande universelle recherche automatiquement le code jusqu'à ce que l'appareil que vous désirez utiliser réagisse ; l'appareil se met, par exemple, hors tension (touche « POWER ») ou change de station (touches « PROG+ / PROG- »).

- 5.3.1 Mettez l'appareil que vous désirez utiliser sous tension.
- 5.3.2 Appuyez sur la touche « SETUP » jusqu'à ce que la LED s'allume en vert en permanence.
- 5.3.3 Sélectionnez l'appareil que vous désirez piloter (TV, etc.) à l'aide de la touche de l'appareil. La LED clignote une fois, puis s'allume en permanence en cas de sélection correcte.
- 5.3.4 Appuyez sur la touche « PROG+ / PROG- » ou « POWER » afin de lancer une recherche automatique de code. La LED clignote une fois, puis s'allume en permanence. La télécommande universelle commence la première recherche après 6 secondes.

#### Remarque – réglage de la vitesse de recherche



Le réglage par défaut de la vitesse de recherche par code est de 1 seconde. Vous pouvez modifier ce réglage et configurer une vitesse de 3 secondes par code. Appuyez sur la touche « PROG+ / PROG- » pendant les 6 secondes précédant le début de la recherche automatique.

- 5.3.5 La LED confirme la recherche du code à l'aide d'un clignotement unique.
- 5.3.6 Appuyez sur la touche « MUTE (OK) » afin de sauvegarder le code et quitter la recherche du code ; la LED s'éteint.
- 5.3.7 Appuyez sur la touche « EXIT » afin d'interrompre la recherche automatique.

## Remarque



La télécommande universelle quitte le mode de recherche automatique et retourne en mode de fonctionnement normal si elle ne détecte aucun code adapté. Le code sauvegardé actuellement ne change pas.

### 5.4 Reconnaissance de code

La reconnaissance de code vous permet de rechercher un code déjà attribué.

- 5.4.1 Appuyez sur la touche « SETUP » jusqu'à ce que la LED s'allume en vert en permanence.
- 5.4.2 Sélectionnez l'appareil que vous désirez piloter (TV, etc.) à l'aide de la touche de l'appareil. La LED clignote une fois, puis s'allume en permanence en cas de sélection correcte.
- 5.4.3 Appuyez sur la touche « SETUP ». La LED clignote une fois, puis s'allume en permanence.
- 5.4.4 Appuyez sur une des touches numériques de 0 à 9 afin de lancer la recherche du premier chiffre. La LED clignote une fois pour le premier chiffre du code à quatre chiffres.
- 5.4.5 Répétez les étapes 5.4.4 pour le deuxième, le troisième et le quatrième chiffre.

CODES			
TV	VCR	SAT	DVD
AUX	AMP	CBL	DVBT

## 6. Fonctions spéciales

### 6.1 Recherche de stations en maintenant la touche enfoncée (« punch through »)

La fonction de recherche de Chaînes en maintenant la touche enfoncée (« punch through ») vous permet de contourner les commandes PROG+ ou PROG- de l'appareil utilisé actuellement et piloter un deuxième appareil. Les autres commandes ne sont pas affectées.

Activation de la fonction de recherche de chaînes (« punch through »):

- Appuyez sur la touche de l'appareil désiré (TV, etc.).
- Maintenez la touche « PROG+ » enfoncée.
- Appuyez sur la touche de l'appareil désiré (SAT, etc.).

- Relâchez la touche « PROG+ » (la LED clignote une fois en cas d'activation du paramètre).

Désactivation de la fonction de recherche de chaînes (« punch through »):

- Appuyez sur la touche de l'appareil désiré (TV, etc.).
- Maintenez la touche « PROG- » enfoncée.
- Appuyez sur la touche de l'appareil désiré (SAT, etc.).
- Relâchez la touche « PROG- » (la LED clignote deux fois en cas de désactivation du paramètre).

### 6.2 Réglage du volume en maintenant la touche enfoncée (« punch through »)

La fonction de réglage du volume en maintenant la touche enfoncée (« punch through ») vous permet de contourner les commandes VOL+ ou VOL- de l'appareil utilisé actuellement et régler le volume d'un deuxième appareil. Les autres commandes ne sont pas affectées.

Activation de la fonction de réglage du volume par touche enfoncée « punch through »:

- Appuyez sur la touche de l'appareil désiré (TV, etc.).
- Maintenez la touche « VOL+ » enfoncée.
- Appuyez sur la touche de l'appareil désiré (SAT, etc.).
- Relâchez la touche « VOL+ » (la LED clignote une fois en cas d'activation du paramètre).

Désactivation de la fonction de réglage du volume par touche enfoncée « punch through »:

- Appuyez sur la touche de l'appareil désiré (TV, etc.).
- Maintenez la touche « VOL- » enfoncée.
- Appuyez sur la touche de l'appareil désiré (SAT, etc.).
- Relâchez la touche « VOL- » (la LED clignote deux fois en cas de désactivation du paramètre).

### 6.3 Macro Power

La fonction MACRO POWER vous permet de mettre deux appareils AV simultanément sous/hors tension.

Activation de la fonction MACRO POWER:

- Appuyez sur la touche de l'appareil désiré (TV, etc.).
- Maintenez la touche « POWER » enfoncée.
- Appuyez sur la touche de l'appareil désiré (SAT, etc.).
- Relâchez la touche « POWER » (la LED clignote une fois en cas d'activation du paramètre).

Désactivation de la fonction MACRO POWER:

- Appuyez sur la touche de l'appareil désiré (TV, etc.).
- Maintenez la touche « POWER » enfoncée.
- Appuyez sur la touche de l'appareil désiré (SAT, etc.).
- Relâchez la touche « POWER » (la LED clignote deux fois en cas de désactivation du paramètre).



## 7. Entretien

- N'utilisez pas de piles neuves avec des piles usagées dans la télécommande universelle; les piles usagées sont susceptibles de couler et provoquer une détérioration de l'appareil.
- N'utilisez en aucun cas des produits abrasifs ou des produits nettoyants agressifs pour le nettoyage de votre télécommande universelle.
- Vous pouvez éliminer la poussière de votre télécommande en l'essuyant à l'aide d'un chiffon sec et doux.

## 8. Élimination des pannes

- Q. Ma télécommande universelle ne fonctionne pas.
- R. Contrôlez l'appareil AV. Vous ne pourrez pas utiliser la télécommande sur un appareil mis hors tension à l'aide de la touche d'alimentation principale.
- R. Vérifiez que les piles sont correctement insérées dans la télécommande (polarité +/–).
- R. Vérifiez que vous avez bien appuyé sur la touche de l'appareil correspondant au système désiré.
- R. Remplacez les piles en cas de niveau faible.
- Q. Plusieurs codes d'appareils sont mentionnés pour la marque de mon appareil ; lequel choisir ?
- R. Pour déterminer le bon code de votre appareil AV, testez successivement les codes, l'un après l'autre, jusqu'à ce que la plupart des fonctions de votre appareil fonctionnent correctement.
- Q. Mon appareil AV réagit uniquement à certaines commandes de la télécommande.
- R. Testez d'autres codes jusqu'à ce que la plupart des fonctions de votre appareil fonctionnent correctement.

## 9. Consignes de recyclage

### Remarques concernant la protection de l'environnement :



Conformément à la directive européenne 2012/19/EU et 2006/66/CE, et afin d'atteindre un certain nombre d'objectifs en matière de protection de l'environnement, les règles suivantes doivent être appliquées: Les appareils électriques et électroniques ainsi que les batteries ne doivent pas être éliminés avec les déchets ménagers. Le pictogramme "picto" présent sur le produit, son manuel d'utilisation ou son emballage indique que le produit est soumis à cette réglementation. Le consommateur doit retourner le produit/la batterie usagé(e) aux points de collecte prévus à cet effet. Il peut aussi les remettre à un revendeur. En permettant le recyclage des produits et des batteries, le consommateur contribuera ainsi à la protection de notre environnement. C'est un geste écologique.

Grazie per avere acquistato un prodotto Hama.  
Prima della messa in esercizio, leggete attentamente le seguenti istruzioni e avvertenze. Conservate le istruzioni in un luogo sicuro per una eventuale consultazione.

## Tasti funzione

1. Pulsante Mute
2. Tasti per la selezione apparecchio
3. Testo ON: attivare televideo
4. Hold: bloccare pagina televideo attuale
5. ◀◀ Ritorno/rosso  
▶ Riproduzione/giallo  
▶▶ Avanti veloce / blu  
● Avvio registrazione  
■ Stop / verde  
▬ Pausa / magenta
6. Tasto Shift
7. Menu: menu apparecchi
8. Tasto modalità per la selezione del gruppo apparecchi secondario
9. Vol+/Vol-: regolazione del volume
10. Setup: impostazioni del telecomando
11. Tasti numerici 0-9
12. Smart TV: Aprire il menu Smart TV (se supportato dal terminale)  
Shift+Smart TV: selezione sorgente AV esterna
13. APPS: Aprire il menu app (se supportato dal terminale)  
Shift+APPS : passare ai numeri del trasmettitore a due cifre
14. 14. PROG+/PROG-: scelta programma, verso l'alto/verso il basso
15. EXIT: uscire dal menu apparecchio
16. OK: confermare la selezione
17. EPG: servizio di guida elettronica ai programmi (se supportato dall'apparecchio AV)
18. Info: informazioni on screen (se supportate dall'apparecchio AV)
19. Testo OFF: uscire da televideo
20. Power: ON/OFF / LED

## 1. Spiegazione del simbolo di avvertenza

### Attenzione



Viene utilizzato per contrassegnare le indicazioni di sicurezza oppure per rivolgere l'attenzione verso particolari rischi e pericoli.

## Avvertenza



Viene utilizzato per contrassegnare informazioni supplementari o indicazioni importanti.

## 2. Volume di fornitura

- Telecomando universale
- Elenco codici
- Queste istruzioni per l'uso

## 3. Indicazioni di sicurezza

- Non usare il telecomando universale in ambienti umidi ed evitare il contatto con gli spruzzi.
- Tenere il telecomando universale lontano da fonti di calore e non esporlo alla luce diretta del sole.
- Non fare cadere il telecomando universale.
- Non aprire il telecomando universale. Non contiene parti soggette a manutenzione da parte dell'utente.
- Tenere il telecomando universale, come tutte le apparecchiature elettriche, fuori dalla portata dei bambini.
- Il prodotto è concepito per l'uso domestico privato e non per quello commerciale.
- Utilizzare il prodotto esclusivamente per lo scopo previsto.
- Proteggere il prodotto da sporcizia, umidità e surriscaldamento e utilizzarlo solo in ambienti asciutti.
- Non utilizzare il prodotto in zone in cui non sono ammesse le apparecchiature elettroniche.
- Non fare cadere il prodotto e non sottoporlo a forti scossoni!
- Non apportare modifiche all'apparecchio per evitare di perdere i diritti di garanzia.
- Tenere l'imballo fuori dalla portata dei bambini, pericolo di soffocamento!
- Smaltire immediatamente il materiale d'imballaggio attenendosi alle prescrizioni locali vigenti.
- Non mettere in esercizio il prodotto al di fuori dei suoi limiti di rendimento indicati nei dati tecnici.
- Non aprire il prodotto e non utilizzarlo più se danneggiato.
- Non tentare di aggiustare o riparare l'apparecchio da soli. Fare eseguire qualsiasi lavoro di riparazione al personale specializzato competente.
- Utilizzare l'articolo solo nelle condizioni climatiche moderate.

#### Attenzione – Batterie



- Attenersi sempre alla corretta polarità (scritte + e -) delle batterie e inserirle di conseguenza. La mancata osservanza comporta la perdita di potenza o il rischio di esplosione delle batterie.
- Utilizzare unicamente accumulatori (o batterie) conformi al tipo indicato.
- Prima di inserire le batterie, pulire i contatti e i controcontatti.
- I bambini possono sostituire le batterie solo sotto la sorveglianza degli adulti.
- Non utilizzare batterie di tipi o costruttori diversi, né mischiare batterie vecchie e nuove.
- Togliere sempre le batterie dai prodotti che non vengono utilizzati per un lungo periodo (a meno che non vengano tenuti a portata di mano per un'emergenza).
- Osservare sempre la corretta polarità (dicitura + e -) delle batterie e inserirle di conseguenza. La mancata osservanza comporta la perdita di potenza o il rischio di esplosione delle batterie.
- Non caricare le batterie.
- Non gettare le batterie nel fuoco.
- Conservare le batterie al di fuori della portata dei bambini.
- Non aprire, danneggiare, ingerire o disperdere mai nell'ambiente le batterie. Possono contenere metalli pesanti dannosi e tossici.
- Rimuovere e smaltire immediatamente le batterie scariche.
- Evitare di conservare, caricare e utilizzare la batteria a temperature estreme, e con pressione atmosferica molto bassa (come ad es. ad alta quota).

#### 4. Primi passi - inserimento delle batterie

##### Avvertenza



- Si consiglia di utilizzare batterie alcaline. Utilizzare due batterie del tipo „AAA“ (LR 03/Micro).
- Aprire il coperchio del vano batterie sul retro del telecomando universale.
- Introdurre due batterie con la corretta polarità (+ / -).
- Richiudere il vano batterie.

#### Avvertenza – salvacodice



Tutti i codici programmati restano memorizzati per 10 minuti mentre si sostituisce la batteria. Non premere alcun pulsante prima di inserire la batteria nuova nel telecomando. Tutti i codici vengono cancellati se si preme un pulsante mentre non ci sono batterie nel telecomando.

#### Avvertenza – Funzione di risparmio batteria



Il telecomando si spegne automaticamente se si tiene premuto un pulsante per più di 15 secondi. Questo consente di preservare la batteria se il telecomando resta bloccato in una posizione in cui i pulsanti vengono continuamente premuti, come tra i cuscini del divano.

#### 5. Setup

##### Avvertenza



- Per una corretta trasmissione a infrarossi, tenere sempre il telecomando nella direzione dell'apparecchio da comandare.
- Premere il tasto „MODE“ per scegliere il gruppo apparecchi secondario: AUX, AMP, DVB-T, CBL.
- Premere il tasto Shift per utilizzare i tasti funzione blu. La funzione Shift viene disattivata premendo nuovamente il tasto Shift, oppure automaticamente, se non si preme alcun tasto per ca. 30 secondi.
- Se per 30 secondi non si preme nulla, si esce dal modo Setup. Il LED lampeggia 6 volte, quindi si spegne.
- Tutti i tipi di apparecchi possono essere programmati premendo un tasto qualsiasi, ad es. un televisore può essere programmato con DVD, AUX ecc.
- Con il telecomando universale non si possono comandare apparecchi che si trovano nel modo Setup. Per uscire dal modo Setup, scegliere l'apparecchio da comandare mediante i tasti per la scelta apparecchio.

#### 5.1 Immissione diretta del codice

Nella confezione del telecomando universale è contenuto un elenco dei codici. L'elenco riporta i codici a quattro cifre della maggior parte dei costruttori di apparecchi AV in ordine alfabetico, raggruppati in base al tipo di apparecchio (ad es. TV, DVD ecc.). Se l'apparecchio da comandare è riportato nell'elenco, l'immissione diretta del codice è il metodo più immediato.

- 5.1.1 Accendere l'apparecchio da comandare.
- 5.1.2 Premere il tasto „SETUP”, finché il LED non si accende a luce fissa.
- 5.1.3 Mediante il tasto apparecchio, scegliere l'apparecchio da comandare (ad es. TV). A scelta avvenuta, il LED lampeggia una volta, quindi resta acceso.
- 5.1.4 Nell'elenco codici, cercare la marca e il tipo di apparecchio da comandare.
- 5.1.5 Immettere il codice a quattro cifre corrispondente mediante i tasti numerici 0-9. Il LED conferma l'immissione delle singole cifre lampeggiando brevemente e si spegne dopo la quarta cifra.

#### Avvertenza



- Un codice valido viene salvato automaticamente.
- In caso di codice non valido, il LED lampeggia sei volte, quindi si spegne. Ripetere i passi da 5.1.1 a 5.1.5 o utilizzare un altro metodo per l'immissione dei codici.

## 5.2 Ricerca codice manuale

Il telecomando universale dispone di una memoria interna che contiene già 350 codici per apparecchio, per ciascuno dei più comuni apparecchi AV. È possibile fare scorrere i vari codici, finché l'apparecchio da comandare non mostra una reazione, ad esempio l'apparecchio da comandare si spegne (tasto „POWER”) oppure cambia il programma (tasto „PROG+/PROG-”).

- 5.2.1 Accendere l'apparecchio da comandare.
- 5.2.2 Premere il tasto „SETUP”, finché il LED non si accende a luce fissa.
- 5.2.3 Mediante il tasto apparecchio, scegliere l'apparecchio da comandare (ad es. TV). A scelta avvenuta, il LED lampeggia una volta, quindi resta acceso.
- 5.2.4 Premere il tasto „POWER” o „PROG+/PROG-” per scorrere i codici preimpostati, finché l'apparecchio da comandare non mostra una reazione.
- 5.2.5 Premere „MUTE(OK)” per memorizzare il codice e uscire dalla ricerca codice. Il LED si spegne.

#### Avvertenza



Nella memoria interna si possono memorizzare massimo 350 codici degli apparecchi più comuni. Per via dei numerosi apparecchi AV presenti sul mercato, può accadere che siano disponibili solo le funzioni principali più comuni. In questo caso, ripetere i passaggi da 5.2.1 a 5.2.5 per trovare un codice compatibile. Per alcuni modelli speciali di apparecchi, potrebbero non esserci codici disponibili.

## 5.3 Ricerca codice automatica

La ricerca automatica del codice utilizza gli stessi codici preimpostati della ricerca manuale del codice (5.2). Il telecomando universale ricerca i codici manualmente, finché l'apparecchio da comandare non mostra una reazione, ad esempio l'apparecchio da comandare si spegne (tasto „POWER”) oppure cambia il programma (tasto „PROG+/PROG-”).

- 5.3.1 Accendere l'apparecchio da comandare.
- 5.3.2 Premere il tasto „SETUP”, finché il LED non si accende a luce fissa.
- 5.3.3 Mediante il tasto apparecchio, scegliere l'apparecchio da comandare (ad es. TV). A scelta avvenuta, il LED lampeggia una volta, quindi resta acceso.
- 5.3.4 Premere il tasto „PROG+/PROG-” o „POWER” per avviare la ricerca automatica del codice. Il LED lampeggia una volta, quindi resta acceso. Occorrono 6 secondi affinché il telecomando universale inizi a effettuare la prima ricerca.

#### Avvertenza – impostazione della velocità di ricerca



L'impostazione standard del tempo di ricerca per ciascun codice è 1 secondo. Se si preferisce, si può passare a un tempo di ricerca di 3 secondi. Per passare tra i tempi di ricerca, premere „PROG+” o „PROG-” entro 6 secondi dall'avvio della ricerca automatica del codice.

- 5.3.5 Il LED conferma le ricerche dei codici con un singolo lampeggio.
- 5.3.6 Premere „MUTE(OK)” per memorizzare il codice e uscire dalla ricerca codice. Il LED si spegne.
- 5.3.7 Per interrompere la ricerca automatica, premere il tasto „EXIT”.

## Avvertenza



Se si provano tutti i codici senza successo, il telecomando universale esce dalla ricerca automatica e torna automaticamente nel modo di esercizio. Il codice attualmente memorizzato resta invariato.

## 5.4 Riconoscimento del codice

Il riconoscimento del codice consente di rilevare i codici già immessi.

- 5.4.1 Premere il tasto „SETUP”, finché il LED non si accende a luce fissa.
- 5.4.2 Mediante il tasto apparecchio, scegliere l'apparecchio da comandare (ad es. TV). A scelta avvenuta, il LED lampeggia una volta, quindi resta acceso.
- 5.4.3 Premere il tasto SETUP. Il LED lampeggia una volta, quindi resta acceso.
- 5.4.4 Per la ricerca della prima cifra, premere uno dei tasti numerici da 0 a 9. Il LED lampeggia una volta per la prima cifra del codice numerico a quattro cifre.
- 5.4.5 Ripetere il passaggio 5.4.4 per la seconda, terza e quarta cifra.

CODES			
TV	VCR	SAT	DVD
AUX	AMP	CBL	DVBT

## 6. Funzioni speciali

### 6.1 Punch through canale

Con la funzione Punch through canale, i comandi PROG+ o PROG- possono eludere l'apparecchio attualmente comandato e cambiare i programmi di un secondo apparecchio. Tutti gli altri comandi non sono interessati.

Ecco come attivare la funzione Punch through canale:

- Premere il tasto dell'apparecchio desiderato (ad es. TV)
- Tenere premuto il tasto „PROG+”.
- Premere il tasto dell'apparecchio desiderato (ad es. SAT)

- Rilasciare il tasto „PROG+” (il LED lampeggia una volta quando l'impostazione è attivata).

Ecco come disattivare la funzione Punch through canale:

- Premere il tasto dell'apparecchio desiderato (ad es. TV)
- Tenere premuto il tasto „PROG-”.
- Premere il tasto dell'apparecchio desiderato (ad es. SAT)
- Rilasciare il tasto „PROG-” (il LED lampeggia due volte se viene disattivata l'impostazione).

### 6.2 Punch through volume

Con la funzione Punch through volume, i comandi VOL+ o VOL- possono eludere l'apparecchio attualmente comandato e variare il volume di un secondo apparecchio. Tutti gli altri comandi non sono interessati.

Ecco come attivare la funzione Punch through volume:

- Premere il tasto dell'apparecchio desiderato (ad es. TV)
- Tenere premuto il tasto „VOL+”.
- Premere il tasto dell'apparecchio desiderato (ad es. SAT)
- Rilasciare il tasto „VOL+” (il LED lampeggia una volta quando l'impostazione è attivata).

Ecco come disattivare la funzione Punch through volume:

- Premere il tasto dell'apparecchio desiderato (ad es. TV)
- Tenere premuto il tasto „VOL-”.
- Premere il tasto dell'apparecchio desiderato (ad es. SAT)
- Rilasciare il tasto „VOL-” (il LED lampeggia due volte se viene disattivata l'impostazione).

### 6.3 Macro Power

Con il tasto Macro Power è possibile accendere e spegnere contemporaneamente due apparecchi AV.

Ecco come attivare la funzione Macro Power:

- Premere il tasto dell'apparecchio desiderato (ad es. TV)
- Tenere premuto il tasto „POWER”.
- Premere il tasto dell'apparecchio desiderato (ad es. SAT)
- Rilasciare il tasto „POWER” (il LED lampeggia una volta quando l'impostazione è attivata).

Ecco come disattivare la funzione Macro Power:

- Premere il tasto dell'apparecchio desiderato (ad es. TV)
- Tenere premuto il tasto „POWER”.
- Premere il tasto dell'apparecchio desiderato (ad es. SAT)
- Rilasciare il tasto „POWER” (il LED lampeggia due volte se viene disattivata l'impostazione).

## 7. Manutenzione

- Non inserire mai contemporaneamente batterie vecchie e nuove nel telecomando universale, poiché le batterie vecchie tendono a scaricarsi causando una perdita di potenza.
- Non pulire mai il telecomando universale con sostanze abrasive o detergenti aggressivi.
- Togliere la polvere con un panno morbido e asciutto.

## 8. Ricerca Guasti

- Q. Il mio telecomando universale non funziona!
- R. Verificare l'apparecchio AV. Se l'interruttore principale dell'apparecchio è spento, non utilizzare il telecomando universale dell'apparecchio.
- R. Verificare che le batterie del telecomando siano inserite correttamente e che la polarità +/- corrisponda.
- R. Verificare di avere premuto il corrispondente tasto dell'apparecchio.
- R. Sostituire le batterie se sono scariche.
- Q. Se per la marca del mio apparecchio AV sono elencati numerosi codici, come scelgo quello corretto?
- R. Per determinare il codice corretto per l'apparecchio AV, provare i codici uno dopo l'altro finché la maggior parte dei tasti dell'apparecchio non funzionano correttamente.
- Q. Il mio apparecchio AV reagisce solo ad alcuni comandi dei tasti.
- R. Provare un altro codice finché la maggior parte dei tasti non funzionano correttamente.

## 9. Indicazioni di smaltimento

### Informazioni per protezione ambientale:



Dopo l'implementazione della Direttiva Europea 2012/19/EU e 2006/66/EU nel sistema legale nazionale, ci sono le seguenti applicazioni: Le apparecchiature elettriche ed elettroniche e le batterie non devono essere smaltite con i rifiuti domestici. I consumatori sono obbligati dalla legge a restituire i dispositivi elettrici ed elettronici e le batterie alla fine della loro vita utile ai punti di raccolta pubblici preposti per questo scopo o nei punti vendita. Dettagli di quanto riportato sono definiti dalle leggi nazionali di ogni stato. Questo simbolo sul prodotto, sul manuale d'istruzioni o sull'imballo indicano che questo prodotto è soggetto a queste regole. Riciclando, ri-utilizzando i materiali o utilizzando sotto altra forma i vecchi prodotti/le batterie, darete un importante contributo alla protezione dell'ambiente.

Hartelijk dank dat u voor een Hama-product heeft gekozen. Neemt u zich de tijd en lees de onderstaande aanwijzingen en informatie allereerst geheel door. Bewaar deze instructies op een veilige plek als naslagwerk voor op een later tijdstip.

### Functietoetsen

- Mute-schakelaar
- Toetsen voor de apparatuurselectie
- Text IN: teletext inschakelen
- Vasthouden: op actuele teletextpagina blijven
- ◀◀ terug/rood  
▶▶ weergave/geel  
▶▶▶ snel vooruit/blauw  
● opname starten  
■ stop/groen  
|| pause/roze
- Shift-toets
- Menu: apparaatmenu openen
- Moduletoets voor de selectie van de secundaire apparaatgroep
- Vol+/Vol-: volumeregeling
- Setup: instellingen van de afstandsbediening
- Cijfertoetsen 0-9
- Smart TV: Smart TV menu openen (indien door het eindtoestel wordt ondersteund)  
Shift+Smart TV: externe AV bron selecteren
- APPS: App-menu openen (indien door het eindtoestel wordt ondersteund)  
Shift+APPS : naar tweecijferig zendnummer omschakelen
- PROG+/PROG-: programmaselectie, naar boven/naar beneden
- EXIT: apparaatmenu verlaten
- OK: selectie bevestigen
- EPG: elektronische programmagids (mits deze functie door het geselecteerde AV-toestel wordt ondersteund)
- Info: On-Screen-informatie (mits deze functie door het AV-toestel wordt ondersteund)
- Tekst UIT: teletext verlaten
- Power: IN/UIT / LED

### 1. Verklaring van het aanwijzing-symbool

#### Waarschuwing



Wordt gebruikt voor veiligheidsinstructies of om de aandacht te trekken op bijzondere gevaren en risico's.

### Aanwijzing

Wordt gebruikt voor extra informatie of belangrijke informatie.



### 2. Bij de verpakking inbegrepen

- Universele afstandsbediening
- Codelijst
- Deze bedieningsinstructies

### 3. Veiligheidsinstructies

- Gebruik de universele afstandsbediening niet in vochtige omgevingen en voorkom contact met spatwater.
- Houd de universele afstandsbediening uit de buurt van warmtebronnen en stel de afstandsbediening niet bloot aan direct zonlicht.
- Laat de universele afstandsbediening niet vallen.
- De universele afstandsbediening niet openen. De afstandsbediening bevat geen onderdelen die door de gebruiker dienen te worden onderhouden.
- De universele afstandsbediening dient, net als alle elektrische apparatuur, buiten het bereik van kinderen gehouden te worden.
- Het product is bedoeld voor privé-, niet-zakelijk gebruik.
- Gebruik het product uitsluitend voor het doel waarvoor het gemaakt is.
- Bescherm het product tegen vuil, vocht en oververhitting en gebruik het alleen in droge omgevingen.
- Gebruik het product niet binnen omgevingen, waarin elektronische apparatuur niet is toegestaan.
- Laat het product niet vallen en stel het niet bloot aan zware schokken of stoten.
- Verander niets aan het toestel. Daardoor vervalt elke aanspraak op garantie.
- Het verpakkingsmateriaal mag absoluut niet in handen van kinderen komen; verstikkingsgevaar.
- Het verpakkingsmateriaal direct en overeenkomstig de lokaal geldende afvoerschriften afvoeren.
- Gebruik het product niet buiten de in de technische gegevens vermelde vermogensgrenzen.
- Open het product niet en gebruik het niet meer als het beschadigd is.
- Probeer niet het product zelf te onderhouden of te repareren. Laat onderhouds- en reparatiewerkzaamheden door vakpersoneel uitvoeren.
- Gebruik het artikel alleen onder gematigde klimatologische omstandigheden.

## Waarschuwing – batterijen



- Let absoluut op de correcte polariteit (opschrift + en -) van de batterijen en plaats deze dienovereenkomstig in het batterijvakje. Indien de batterijen verkeerd worden geplaatst kunnen deze gaan lekken of zelfs exploderen.
- Gebruik uitsluitend accu's (of batterijen), welke met het vermelde type overeenstemmen.
- Reinig vóór het plaatsen van de batterijen de batterijcontacten en de contacten in het product.
- Laat kinderen nooit zonder toezicht batterijen vervangen.
- Gebruik geen oude en nieuwe batterijen tegelijkertijd alsmede geen batterijen van een verschillende soort of fabrikaat.
- Verwijder batterijen uit producten welke gedurende langere tijd niet worden gebruikt. (behoudens indien deze voor een noodgeval stand-by moeten blijven)
- De batterijen niet kortsluiten.
- De batterij niet opladen.
- De batterijen niet in vuur werpen.
- Batterijen buiten het bereik van kinderen opbergen.
- Batterijen nooit openen, beschadigen, inslikken of in het milieu terecht laten komen. Zij kunnen giftige en zware metalen bevatten die schadelijk zijn voor het milieu.
- Lege batterijen direct uit het product verwijderen en afvoeren.
- Vermijd opslag, opladen en gebruik bij extreme temperaturen en extreem lage luchtdruk (bijv. op grote hoogte).

## 4. Eerste stappen – plaatsen van de batterijen

### Aanwijzing



- Wij adviseren alkaline batterijen. Gebruik twee batterijen van het type „AAA“ (LR 03/Micro).
- Verwijder het batterijdeksel aan de achterzijde van de universele afstandsbediening.
- Plaats vervolgens de batterijen met inachtneming van de polariteit (+/-), zoals in het batterijvak is aangegeven.
- Sluit het batterijvak.

## Aanwijzing – Code-opslag



Eventuele geprogrammeerde codes blijven gedurende 10 minuten bewaard terwijl u de batterijen vervangt. Druk a.u.b. geen enkele toets in voordat u nieuwe batterijen in de afstandsbediening heeft geplaatst. Alle geprogrammeerde codes zullen worden verwijderd indien een toets wordt ingedrukt terwijl er zich geen batterijen in de afstandsbediening bevinden.

## Aanwijzing – Batterijspaarfunctie



Indien er een toets langer dan 15 seconden wordt ingedrukt, dan zal de afstandsbediening automatisch uitschakelen. Dit is een energiebesparende functie voor de batterijen indien de afstandsbediening wordt ingeklemd en dientengevolge toets(en) continu worden ingedrukt, zoals bijv. tussen de kussens van het bankstel.

## 5. Setup

### Aanwijzing



- Houd de afstandsbediening voor een correcte infrarood-overdracht altijd in de richting van het te bedienen toestel.
- Druk op de toets „MODE” voor de selectie van de secundaire apparatuurgroep: AUX, AMP, DVB-T, CBL.
- Druk de Shift-toets in teneinde de blauwe functietoetsen te gebruiken. De Shift-functie wordt door opnieuw op de Shift-toets te drukken gedeactiveerd, of automatisch, indien ca. gedurende 30 seconden geen toets wordt ingedrukt.
- Indien gedurende ca. 30 seconden niets wordt ingevoerd, wordt de Setup-modus beëindigd. De LED knippert zesmaal en gaat vervolgens uit.
- Ieder type toestel kan onder een willekeurige toets worden geprogrammeerd, bijv. kan een televisietoestel onder DVD, AUX worden geprogrammeerd.
- U kunt met de universele afstandsbediening geen toestel bedienen, zolang zich dit in de Setup-modus bevindt. Verlaat de Setup-modus, en selecteer het te bedienen toestel met behulp van de toetsen voor de apparatuurselectie.



## 5.1 Directe code-invoer

Bij de levering van de universele afstandsbediening is een codelijst inbegrepen. De codelijst toont viercijferige codes van de meeste AV-apparatuurfabrikanten in alfabetische volgorde, gegroepeerd naar het soort toestel (bijv. tv, dvd-speler enz.). Indien het te bedienen toestel in de codelijst is vermeld, is de directe code-invoer de eenvoudigste invoermethode.

- 5.1.1 Schakel het toestel dat bediend moet worden in.
- 5.1.2 Druk op de toets „SETUP” totdat de LED continu brandt.
- 5.1.3 Selecteer met behulp van de apparatuurtoets het toestel dat bediend moet worden, (bijv. tv). Bij succesvolle selectie knippert de LED eenmaal en brandt daarna continu.
- 5.1.4 Zoek in de codelijst naar het merk en type van het te bedienen toestel.
- 5.1.5 Voer vervolgens de desbetreffende viercijferige code met behulp van de cijfertoetsen 0-9 in. De LED bevestigt de invoer van de afzonderlijke cijfers steeds met een kort knipperen en gaat na het vierde cijfer uit.

### Aanwijzing



- Een geldige code wordt automatisch opgeslagen.
- Bij een ongeldige code knippert de LED zesmaal en gaat vervolgens uit. Herhaal de stappen 5.1.1 tot 5.1.5, of maak gebruik van een andere methode om de codes in te voeren.

## 5.2 Handmatig codes zoeken

De universele afstandsbediening beschikt over een intern geheugen, waarin reeds max. 350 codes per soort toestel voor de meest gangbare AV-apparatuur zijn opgeslagen. U kunt deze codes doorlopen totdat het te bedienen toestel een reactie toont. Het te bedienen toestel schakelt zich bijvoorbeeld uit (toets „POWER”) of schakelt om naar een andere zender (toets „PROG+/PROG-”).

- 5.2.1 Schakel het toestel dat bediend moet worden in.
- 5.2.2 Druk op de toets „SETUP” totdat de LED continu brandt.
- 5.2.3 Selecteer met behulp van de apparatuurtoets het toestel dat bediend moet worden, (bijv. tv). Bij succesvolle selectie knippert de LED eenmaal en brandt daarna continu.

- 5.2.4 Druk op de toets „POWER” of „PROG+/PROG-”, teneinde door de vooraf reeds ingevoerde codes te bladeren totdat het te bedienen toestel een reactie toont.
- 5.2.5 Druk op „MUTE(OK)” teneinde de code op te slaan en de code-zoekfunctie te verlaten. De LED gaat uit.

### Aanwijzing



In het interne geheugen kunnen maximaal 350 codes van de meest gangbare apparatuur worden opgeslagen. Vanwege de talrijke op de markt te verkrijgen AV-apparatuur kan het voorkomen dat alleen de meest gebruikelijke hoofdfuncties te beschikking zijn. Is dit het geval dan herhaalt u de stappen 5.2.1 tot 5.2.5 teneinde een meer compatibele code te vinden. Voor enige speciale apparatuurmodellen is mogelijk geen code ter beschikking.

## 5.3 Automatische code-zoekfunctie

De automatische code-zoekfunctie maakt gebruik van dezelfde vooraf ingevoerde codes zoals de handmatige code-zoekfunctie (5.2). De universele afstandsbediening doorzoekt de codes echter automatisch totdat het te bedienen toestel een reactie toont. Het te bedienen toestel schakelt zich bijvoorbeeld uit (toets „POWER”) of schakelt om naar een andere zender (toets „PROG+/PROG-”).

- 5.3.1 Schakel het toestel dat bediend moet worden in.
- 5.3.2 Druk op de toets „SETUP” totdat de LED continu brandt.
- 5.3.3 Selecteer met behulp van de apparatuurtoets het toestel dat bediend moet worden, (bijv. tv). Bij succesvolle selectie knippert de LED eenmaal en brandt daarna continu.
- 5.3.4 Druk op de toets „PROG+/PROG-” of „POWER” teneinde de automatische code-zoekfunctie te starten. De LED knippert eenmaal en brandt daarna continu. Het duurt 6 seconden totdat de universele afstandsbediening met de eerste zoektocht begint.

### Aanwijzing – instellen van de zoeksnelheid



De standaardinstelling voor de zoektijd per code is 1 seconde. Indien deze instelling u niet bevalt kunt u naar een zoektijd van 3 seconden per code omschakelen. Om tussen de zoektijden om te schakelen drukt u op „PROG+” of „PROG-” binnen de 6 seconden voor het begin van de automatische code-zoekfunctie.

- 5.3.5 De LED bevestigt de desbetreffende code-zoekfuncties door eenmaal te knipperen.
- 5.3.6 Druk op „MUTE(OK)” teneinde de code op te slaan en de code-zoekfunctie te verlaten. De LED gaat uit.
- 5.3.7 Teneinde de automatische zoekfunctie tijdens het zoeken af te breken drukt u op de toets „EXIT”.

### Aanwijzing



Indien alle codes zonder succes werden doorzocht, verlaat de universele afstandsbediening de automatische code-zoekfunctie en keert automatisch naar de bedrijfsmodus terug. De actueel opgeslagen code blijft ongewijzigd.

## 5.4 Codeherkenning

De codeherkenning biedt aan u de mogelijkheid een reeds ingevoerde code te achterhalen.

- 5.4.1 Druk op de toets „SETUP” totdat de LED continu brandt.
- 5.4.2 Selecteer met behulp van de apparaatuertoets het toestel dat bediend moet worden, (bijv. tv). Bij succesvolle selectie knippert de LED eenmaal en brandt daarna continu.
- 5.4.3 Druk op de toets „SETUP”. De LED knippert eenmaal en brandt daarna continu.
- 5.4.4 Druk, om het eerste getal te zoeken, op één van de cijfertoetsen 0 tot 9. De LED knippert eenmaal voor het eerste getal van het viercijferige codenummer.
- 5.4.5 Herhaal de stap 5.4.4 voor het tweede, derde en vierde getal.

CODES			
TV	VCR	SAT	DVD
AUX	AMP	CBL	DVBT

## 6. Speciale functies

### 6.1 Sender-Punch-Through

Met de Sender-Punch-Through-functie kunnen de commando's PROG+ of PROG- het actueel bediende toestel omzeilen, en de zenders van een tweede toestel omschakelen. Alle andere commando's zijn daarvan uitgesloten.

Zo activeert u de Sender-Punch-Through-functie:

- Druk op de gewenste apparaatuertoets (bijv. tv).
- Houd de toets „PROG+” ingedrukt.
- Druk op de gewenste apparaatuertoets (bijv. SAI).
- Laat de toets „PROG+” weer los (de LED knippert eenmaal bij geactiveerde instelling).

Zo deactiveert u de Sender-Punch-Through-functie:

- Druk op de gewenste apparaatuertoets (bijv. tv).
- Houd de toets „PROG-” ingedrukt.
- Druk op de gewenste apparaatuertoets (bijv. SAI).
- Laat de toets „PROG-” weer los (de LED knippert tweemaal indien de instelling wordt gedeactiveerd).

### 6.2 Geluidssterkte-Punch-Through

Met de Geluidssterkte-Punch-Through-functie kunnen de commando's VOL+ of VOL- het actueel bediende toestel omzeilen, en de geluidssterkte van een tweede toestel instellen. Alle andere commando's zijn daarvan uitgesloten.

Zo activeert u de Geluidssterkte-Punch-Through-functie:

- Druk op de gewenste apparaatuertoets (bijv. tv).
- Houd de toets „VOL+” ingedrukt.
- Druk op de gewenste apparaatuertoets (bijv. SAI).
- Laat de toets „VOL+” weer los (de LED knippert eenmaal bij geactiveerde instelling).

Zo deactiveert u de Geluidsterkte-Punch-Through-functie:

- Druk op de gewenste apparaatuuroets (bijv. tv).
- Houd de toets „VOL-“ ingedrukt.
- Druk op de gewenste apparaatuuroets (bijv. SAI).
- Laat de toets „VOL-“ weer los (de LED knippert tweemaal indien de instelling wordt gedeactiveerd).

### 6.3 Macro Power

Met Macro Power kunt u twee AV-toestellen tegelijkertijd in-/uitschakelen.

Zo activeert u de Macro Power-functie:

- Druk op de gewenste apparaatuuroets (bijv. tv).
- Houd de toets „POWER“ ingedrukt.
- Druk op de gewenste apparaatuuroets (bijv. SAI).
- Laat de toets „POWER“ weer los (de LED knippert eenmaal bij geactiveerde instelling).

Zo deactiveert u de Macro Power-functie:

- Druk op de gewenste apparaatuuroets (bijv. tv).
- Houd de toets „POWER“ ingedrukt.
- Druk op de gewenste apparaatuuroets (bijv. SAI).
- Laat de toets „POWER“ weer los (de LED knippert tweemaal indien de instelling wordt gedeactiveerd)

### 7. Onderhoud

- Gebruik nimmer tegelijkertijd oude en nieuwe batterijen in de universele afstandsbediening omdat oude batterijen kunnen lekken en tot vermogensverlies kunnen leiden.
- Reinig de universele afstandsbediening nimmer met een schuurmiddel of scherpe reinigingsmiddelen.
- Houd de universele afstandsbediening vrij van stof door haar regelmatig met een droge zachte doek te reinigen.

### 8. Het Oplossen van Storingen

- V. Mijn universele afstandsbediening doet het niet!
- A. Controleer het AV-toestel. Indien de hoofdschakelaar van het toestel is uitgeschakeld kan de universele afstandsbediening het toestel niet bedienen.
- A. Controleer of de batterijen van de afstandsbediening juist zijn geplaatst en of de polariteit in orde is.
- A. Controleer of de desbetreffende toets voor het toestel is ingedrukt.
- A. Vervang de batterijen bij een laag laadniveau.
- V. Indien voor het merk van mijn AV-toestel meerdere toestelcodes zijn opgesomd, hoe selecteer dan de juiste toestelcode?
- A. Om de correcte toestelcode voor het AV-toestel te achterhalen, test u de codes één voor één uit tot de meeste toetsen/functies van uw toestel naar behoren functioneren.
- V. Mijn AV-toestel reageert alleen op een paar toetsen.
- A. Probeer andere codes totdat de meeste toetsen correct functioneren.

### 9. Aanwijzingen over de afvalverwerking

#### Notitie aangaande de bescherming van het milieu:



Ten gevolge van de invoering van de Europese Richtlijn 2012/19/EU en 2006/66/EU in het nationaal juridisch systeem, is het volgende van toepassing:

Elektrische en elektronische apparatuur, zoals batterijen mag niet met het huisvuil weggegooid worden. Consumenten zijn wettelijk verplicht om elektrische en elektronische apparaten zoals batterijen op het einde van gebruik in te dienen bij openbare verzamelplaatsen speciaal opgezet voor dit doeleinde of bij een verkooppunt. Verdere specificaties aangaande dit onderwerp zijn omschreven door de nationale wet van het betreffende land. Dit symbool op het product, de gebruiksaanwijzing of de verpakking duidt erop dat het product onderworpen is aan deze richtlijnen. Door te recyclen, hergebruiken van materialen of andere vormen van hergebruiken van oude toestellen/batterijen, levert u een grote bijdrage aan de bescherming van het milieu.

Dziękujemy, że zdecydowali się Państwo na zakup produktu firmy Hama.

Prosimy poświęcić trochę czasu na uważne przeczytanie poniższych instrukcji i informacji. Instrukcję należy przechowywać w bezpiecznym miejscu do późniejszego użytku.

### Przyciski funkcyjne

1. Wyciszanie dźwięku
2. Przyciski wyboru urządzenia
3. Tekst ZAŁ.: włączanie teletekstu
4. Hold: zatrzymywanie aktualnej strony teletekstu
5. ◀ Szybkie przewijanie do tyłu/czerwony
  - ▶ Odtwarzanie/żółty
  - ▶▶ Szybkie przewijanie do przodu/niebieski
  - Start nagrywania
  - Stop/zielony
  - ▬ Pauza/magenta
6. Przycisk Shift
7. Menu: otwieranie menu urządzenia
8. Przycisk trybu do wyboru grupy urządzeń peryferyjnych
9. Vol+/Vol-: regulacja głośności
10. 10. Setup: ustawienia pilota
11. 11. Przyciski numeryczne 0-9
12. 12. Smart TV: otwieranie menu Smart TV (o ile funkcja jest obsługiwana przez urządzenie końcowe) Shift+Smart TV: wybór zewnętrznego źródła AV
13. 13. APPS: otwieranie menu App (o ile funkcja jest obsługiwana przez urządzenie końcowe) Shift+APPS : przełączanie na dwucyfrowy numer radiostacji
14. 14. PROG+/PROG-: wybór programu do góry/na dół
15. 15. EXIT: zamykanie menu urządzenia
16. 16. OK: potwierdzanie wyboru
17. 17. EPG: elektroniczny przewodnik po programach (jeżeli jest obsługiwany przez wybrane urządzenie AV)
18. 18. Informacje: informacje wyświetlane na ekranie (jeżeli są obsługiwane przez urządzenie AV)
19. 19. Tekst WYŁ.: zamykanie teletekstu
20. 20. Power (zasilanie): ZAŁ./WYŁ. / DIODA LED

### 1. Objaśnienie symboli informacyjnych

#### Ostrzeżenie

Używane w celu zwrócenia uwagi na szczególnie niebezpieczeństwo lub ryzyko.



### Wskazówki

Używane w celu zwrócenia uwagi na szczególnie przydatne informacje.



### 2. Zakres dostawy

- uniwersalny pilota zdalnego sterowania
- lista kodów
- niniejsza instrukcja obsługi

### 3. Wskazówki bezpieczeństwa

- Uniwersalnego pilota zdalnego sterowania nie należy używać w wilgotnym otoczeniu oraz należy go chronić przed bryzgam wody.
- Trzymać uniwersalny pilot zdalnego sterowania z dala od źródeł ciepła i nie wystawiać na bezpośrednie promieniowanie słoneczne.
- Chronić pilota przed upadkiem.
- Nie otwierać uniwersalnego pilota zdalnego sterowania. Nie zawiera on żadnych części wymagających konserwacji przez użytkownika.
- Trzymać pilota, jak wszystkie urządzenia elektryczne, z dala od dzieci!
- Produkt jest przeznaczony do prywatnego, niekomercyjnego użytku.
- Stosować produkt wyłącznie zgodnie z przewidzianym przeznaczeniem.
- Chronić produkt przed zanieczyszczeniem, wilgocią i przegrzaniem oraz stosować go tylko w suchym otoczeniu.
- Nie używać produktu w miejscach, gdzie nie jest dozwolone stosowanie urządzeń elektronicznych.
- Chronić produkt przed upadkiem i silnymi wstrząsami.
- Nie modyfikować urządzenia. Prowadzi to do utraty wszelkich roszczeń z tytułu gwarancji.
- Materiały opakowaniowe trzymać koniecznie z dala od dzieci, istnieje niebezpieczeństwo uduszenia.
- Materiały opakowaniowe należy natychmiast poddać utylizacji zgodnie z obowiązującymi przepisami miejscowymi.
- Nie stosować produktu poza zakresem mocy podanym w danych technicznych.
- Nie otwierać produktu i nie używać go, gdy jest uszkodzony.
- Nie próbować naprawiać samodzielnie urządzenia. Prace serwisowe zlecać wykwalifikowanemu personelowi fachowemu.
- Używać produktu wyłącznie w umiarkowanych warunkach klimatycznych.

#### Ostrzeżenie – baterie



- Wkładając baterie, zwrócić koniecznie uwagę na właściwe podłączenie biegunów (znak + i -). Nieprzestrzeganie grozi wyciekami lub wybuchem baterii.
- Używać wyłącznie akumulatorów (lub baterii) odpowiadających podanemu typowi.
- Przed włożeniem baterii wyczyścić styki baterii i przeciwległe styki.
- Nie pozwalać dzieciom na wymianę baterii bez nadzoru.
- Nie mieszać starych i nowych baterii ani baterii różnych typów lub producentów.
- Jeżeli produkt nie jest używany przez dłuższy czas, należy wyjąć z niego baterie. (chyba że służą one do zasilania awaryjnego)
- Nie zwierać baterii.
- Nie ładować baterii.
- Nie wrzucać baterii do ognia.
- Przechowywać baterie poza zasięgiem dzieci.
- Nie otwierać, nie uszkadzać ani nie polykać baterii, a także chronić je przed kontaktem ze środowiskiem. Mogą one zawierać toksyczne i szkodliwe dla środowiska metale ciężkie.
- Natychmiast usunąć z produktu zużyte baterie i poddać je utylizacji.
- Unikaj przechowywania, ładowania i stosowania w ekstremalnych temperaturach i przy bardzo niskim ciśnieniu powietrza (np. na dużych wysokościach).

#### 4. Pierwsze kroki – wkładanie baterii

##### Wskazówki



- Zaleca się używanie baterii alkalicznych. Stosować dwie baterie typu „AAA” (LR 03/Micro).
- Zdjąć pokrywę schowka na baterie z tyłu uniwersalnego pilota zdalnego sterowania.
- Włożyć baterie, zwracając uwagę na oznaczenie biegunowości „+/-”.
- Zamknąć schowek na baterie.

##### Wskazówka – Pamięć kodów



Podczas wymiany baterii wszystkie zaprogramowane kody są przechowywane w pamięci przez maks. 10 minut. Nie naciskać żadnych przycisków przed włożeniem nowych baterii do pilota zdalnego sterowania. Jeżeli zostanie naciśnięty przycisk bez włożonych baterii do pilota, wszystkie kody zostaną utracone.

#### Wskazówka – Funkcja energooszczędna



Pilot zdalnego sterowania wyłącza się automatycznie, jeżeli przycisk będzie wciśnięty przez dłużej niż 15 sekund. Wydłuża to trwałość baterii, jeżeli przyciski zostaną przypadkowo zakleszczone, np. między poduszkami na wersale.

#### 5. Setup

##### Wskazówki



- Aby transfer danych w podzercwieniu był prawidłowy, zawsze trzymać pilota zwróconego w kierunku obsługiwane urządzenie.
- Naciśnąć przycisk „MODE”, aby wybrać grupę urządzeń peryferyjnych: AUX, AMP, DVB-T, CBL.
- Naciśnąć przycisk Shift, aby użyć niebieskich przycisków funkcyjnych. Funkcja Shift wyłącza się po ponownym naciśnięciu przycisku Shift lub automatycznie, jeżeli przez ok. 30 sekund nie zostanie naciśnięty żaden przycisk.
- Jeżeli przez ok. 30 sekund nie zostanie wprowadzone żadne ustawienie, tryb ustawień (Setup) jest zamykany. Dioda LED miga sześciokrotnie i głośno.
- Każdy typ urządzenia można zaprogramować pod dowolnym przyciskiem pilota, np. telewizor można zaprogramować pod DVD, AUX itd.
- Jeżeli urządzenie znajduje się w trybie Setup, nie można obsługiwać go za pomocą uniwersalnego pilota zdalnego sterowania. Zamknąć tryb Setup i przyciskami wyboru urządzenia wybrać urządzenie, które ma być obsługiwane.

#### 5.1 Bezpośrednie wprowadzanie kodu

Do zakresu dostawy uniwersalnego pilota zdalnego sterowania należy lista kodów. Lista kodów zawiera czterocyfrowe kody większości producentów urządzeń AV w porządku alfabetycznym, pogrupowanych wg typu urządzenia (np. TV, DVD itd.). Jeżeli obsługiwane urządzenie znajduje się na liście kodów, bezpośrednie wpisanie kodu jest najprostszą metodą wprowadzenia kodu

- 5.1.1 Włączyć urządzenie, które ma być obsługiwane.
- 5.1.2 Naciśnąć przycisk „SETUP”, aż dioda LED zacznie świecić się ciągle.
- 5.1.3 Przyciskami wyboru urządzenia wybrać urządzenie, które ma być obsługiwane (np. TV). Po udanym wyborze dioda LED miga jednokrotnie, a następnie świeci się ciągle.

- 5.1.4 W liście kodów wyszukać markę i typ obsługiwanego urządzenia.
- 5.1.5 Za pomocą przycisków numerycznych 0-9 wprowadzić odpowiedni czterocyfrowy kod. Dioda LED potwierdza krótkim mignięciem wpisanie każdej cyfry i gaśnie po wprowadzeniu czwartej cyfry.

#### Wskazówki



- Prawidłowy kod jest automatycznie zapamiętywany.
- W przypadku wprowadzenia nieprawidłowego kodu dioda LED miga sześciokrotnie, a następnie gaśnie. Powtórz punkty od 5.1.1 do 5.1.5 lub użyj innej metody wprowadzania kodów.

### 5.2 Ręczne wyszukiwanie kodu

Uniwersalny pilot zdalnego sterowania posiada wewnętrzną pamięć, która zawiera maks. 350 kodów dla najbardziej popularnych typów urządzeń AV. Można wertować te kody, aż obsługiwane urządzenie zareaguje. Na przykład obsługiwane urządzenie wyłącza się (przycisk „POWER”) lub zmienia program (przycisk „PROG+/PROG-”).

- 5.2.1 Włączyć urządzenie, które ma być obsługiwane.
- 5.2.2 Nacisnąć przycisk SETUP, aż dioda LED zacznie świecić się ciągle.
- 5.2.3 Przyciskami wyboru urządzenia wybrać obsługiwane urządzenie (np. TV). Po udanym wyborze dioda LED miga jednokrotnie, a następnie świeci się ciągle.
- 5.2.4 Nacisnąć przycisk „POWER” lub „PROG+/PROG-”, aby wertować zaprogramowane kody, aż obsługiwane urządzenie zareaguje.
- 5.2.5 Nacisnąć „MUTE (OK)”, aby zapisać kod i zamknąć funkcję wyszukiwania kodów. Dioda LED gaśnie.

#### Wskazówki



W wewnętrznej pamięci można zapisać maks. 350 kodów dla najbardziej popularnych urządzeń. Ze względu na dużą liczbę dostępnych na rynku urządzeń AV może się zdarzyć, że funkcjonować będą tylko podstawowe funkcje. W takim przypadku powtórz kroki od 5.2.1 do 5.2.5, aby znaleźć bardziej kompatybilny kod. W przypadku niektórych specjalnych modeli urządzeń może się zdarzyć, że nie będzie dostępny żaden kod.

### 5.3 Automatyczne wyszukiwanie kodu

Funkcja automatycznego wyszukiwania kodu używa tego samego zaprogramowanego kodu jak funkcja ręcznego wyszukiwania kodu (5.2). Jednakże uniwersalny pilot zdalnego sterowania przeszukuje automatycznie kody, aż obsługiwane urządzenie zareaguje. Na przykład obsługiwane urządzenie wyłącza się (przycisk „POWER”) lub zmienia program (przyciski „PROG+/PROG-”).

- 5.3.1 Włączyć urządzenie, które ma być obsługiwane.
- 5.3.2 Nacisnąć przycisk „SETUP”, aż dioda LED zacznie świecić się ciągle.
- 5.3.3 Przyciskami wyboru urządzenia wybrać obsługiwane urządzenie (np. TV). Po udanym wyborze dioda LED miga jednokrotnie, a następnie świeci się ciągle.
- 5.3.4 Nacisnąć przycisk „PROG+/PROG-” lub „POWER”, aby uruchomić automatyczne wyszukiwanie kodu. Dioda LED miga jednokrotnie, a następnie świeci się ciągle. Po 6 sekundach uniwersalny pilot zdalnego sterowania rozpoczyna pierwsze wyszukiwanie.

#### Wskazówka – ustawianie prędkości wyszukiwania



Domyślnym ustawieniem czasu wyszukiwania jest 1 sekunda na kod. Jeżeli to nie wystarczy, czas wyszukiwania można zmienić na 3 sekundy na kod. Aby zmienić czas wyszukiwania, w ciągu 6 sekund przed rozpoczęciem automatycznego wyszukiwania kodu nacisnąć przycisk „PROG+” lub „PROG-”.

- 5.3.5 Każdorazowe wyszukiwanie kodu potwierdzone jest jednym mignięciem diody LED.
- 5.3.6 Nacisnąć „MUTE (OK)”, aby zapisać kod i zamknąć funkcję wyszukiwania kodów. Dioda LED gaśnie.
- 5.3.7 Aby w trakcie procesu wyszukiwania zakończyć automatyczne wyszukiwanie, nacisnąć przycisk „EXIT”.

#### Wskazówka



Jeżeli wyszukiwanie kodów nie zakończy się pomyślnie, pilot automatycznie zamyka funkcję wyszukiwania i automatycznie powraca do trybu pracy. Aktualnie zapisany kod pozostaje niezmienny.

## 5.4 Identyfikacja kodów

Funkcja identyfikacji kodów oferuje możliwość rozpoznania wprowadzonego już kodu.

- 5.4.1 Nacisnąć przycisk „SETUP”, aż dioda LED zacznie świecić się ciągle.
- 5.4.2 Przyciskami wyboru urządzenia wybrać obsługiwane urządzenie (np. TV). Po udanym wyborze dioda LED miga jednokrotnie, a następnie świeci się ciągle.
- 5.4.3 Nacisnąć przycisk „SETUP”. Dioda LED miga jednokrotnie, a następnie świeci się ciągle.
- 5.4.4 Aby wyszukać pierwszą cyfrę, nacisnąć jeden z przycisków numerycznych od 0 do 9. Dioda LED miga jednokrotnie dla pierwszej cyfry czterocyfrowego numeru kodu.
- 5.4.5 Powtórzyć krok 5.4.4 dla drugiej, trzeciej i czwartej cyfry.

CODES			
TV	VCR	SAT	DVD
AUX	AMP	CBL	DVBT

## 6. Funkcje specjalne

### 6.1 Funkcja przekierowania Punch-Through do przełączania stacji

Za pomocą funkcji przekierowania Punch-Through do przełączania stacji komendami PROG+ lub PROG- można obejść aktualnie sterowane urządzenie i przełączyć stację innego urządzenia. Nie dotyczy to żadnych innych komend.

Funkcję Punch-Through do przełączania stacji włącza się w sposób następujący:

- Nadsnąć wybrany przycisk urządzenia (np. TV).
- Trzymać wciśnięty przycisk „PROG+”.
- Nadsnąć wybrany przycisk urządzenia (np. SAT).
- Ponownie zwolnić przycisk „PROG+” (przy aktywnym ustawieniu dioda LED miga jednokrotnie).

Funkcję Punch-Through wyłącza się w sposób następujący:

- Nadsnąć wybrany przycisk urządzenia (np. TV).
- Trzymać wciśnięty przycisk „PROG-”.
- Nadsnąć wybrany przycisk urządzenia (np. SAT).
- Ponownie zwolnić przycisk „PROG-” (dioda LED miga dwukrotnie przy wyłączonym ustawieniu).

### 6.2 Funkcja przekierowania Punch-Through do regulacji głośności

Za pomocą funkcji przekierowania Punch-Through komendami VOL+ lub VOL- można obejść aktualnie sterowane urządzenie i wyregulować głośności innego urządzenia. Nie dotyczy to żadnych innych komend.

Funkcję Punch-Through do regulacji głośności włącza się w sposób następujący:

- Nadsnąć wybrany przycisk urządzenia (np. TV).
- Trzymać wciśnięty przycisk „VOL+”.
- Nadsnąć wybrany przycisk urządzenia (np. SAT).
- Ponownie zwolnić przycisk „VOL+” (przy aktywnym ustawieniu dioda LED miga jednokrotnie).

Funkcję Punch-Through do regulacji głośności wyłącza się w sposób następujący:

- Nadsnąć wybrany przycisk urządzenia (np. TV).
- Trzymać wciśnięty przycisk „VOL-”.
- Nadsnąć wybrany przycisk urządzenia (np. SAT).
- Ponownie zwolnić przycisk „VOL-” (dioda LED miga dwukrotnie przy wyłączonym ustawieniu).

### 6.3 Macro Power

Za pomocą funkcji Macro Power można jednocześnie włączać/wyłączać dwa urządzenia AV.

Sposób włączania funkcji Macro-Power.

- Nadsnąć wybrany przycisk urządzenia (np. TV).
- Trzymać wciśnięty przycisk „POWER”.
- Nadsnąć wybrany przycisk urządzenia (np. SAT).
- Ponownie zwolnić przycisk „POWER” (przy aktywnym ustawieniu dioda LED miga jednokrotnie).

Sposób wyłączania funkcji Macro-Power.

- Nadsnąć wybrany przycisk urządzenia (np. TV).
- Trzymać wciśnięty przycisk „POWER”.
- Nadsnąć wybrany przycisk urządzenia (np. SAT).
- Ponownie zwolnić przycisk „POWER” (dioda LED miga dwukrotnie przy wyłączonym ustawieniu).

## 7. Konserwacja

- W uniwersalnym pilocie zdalnego sterowania nie stosować jednocześnie starych i nowych baterii, gdyż w starych bateriach może dojść do wycieku elektrolitu i zaniku mocy.
- Nie używać do czyszczenia pilota środków szorujących ani ostrych przedmiotów.
- Chronić pilota przed zakurzeniem, czyszcząc go suchą miękką ściereczką.

## 8. Usuwanie Usterek

- P. Mój uniwersalny pilot zdalnego sterowania nie działa!
- O. Sprawdź urządzenie AV. Jeżeli główny wyłącznik urządzenia jest wyłączony, pilot nie może go obsługiwać.
- O. Upewnij się, że baterie zostały prawidłowo włożone z uwzględnieniem biegunowości.
- O. Upewnij się, czy na pilocie wciśnięto właściwy przycisk urządzenia.
- O. W przypadku słabych baterii wymienić je.
- P. Jeżeli w liście kodów znajduje się więcej kodów dla marki mojego urządzenia AV, jak wybrać ten właściwy?
- O. Aby wybrać właściwy kod dla urządzenia AV, sprawdzać po kolei kody, aż większość przycisków będzie prawidłowo funkcjonowała.
- P. Moje urządzenie AV reaguje tylko na niektóre komendy przycisków.
- O. Wypróbować inne kody, aż większość przycisków będzie prawidłowo funkcjonowała.

## 9. Informacje dotycząca recyklingu

### Wskazówki dotyczące ochrony środowiska:



Od czasu wprowadzenia europejskiej dyrektywy 2012/19/EU i 2006/66/EU do prawa narodowego obowiązują następujące ustalenia: Urządzeń elektrycznych, elektronicznych oraz baterii jednorazowych nie należy wyrzucać razem z codziennymi odpadami domowymi! Użytkownik zobowiązany prawnie do odniesienia zepsutych, zniszczonych lub niepotrzebnych urządzeń elektrycznych i elektronicznych do punktu zbiórki lub do sprzedawcy. Szczegółowe kwestie regulują przepisy prawne danego kraju. Informuje o tym symbol przekreślonego kosza umieszczony na opakowaniu. Segregując odpady pomagasz chronić środowisko!



Děkujeme Vám, že jste se rozhodli pro zakoupení výrobku Hama.

V klidu a kompletně si přečtěte následující pokyny a informace. Uchovávejte tento návod pro další použití na bezpečném místě.

### Funkční tlačítka

1. Vypínač zvuku
2. Tlačítka pro volbu přístrojů
3. Text ZAP: Zapnutí teletextu
4. Držet: Držet aktuální stránku teletextu
5. ◀◀ Zpětný chod/červená
  - ▶ Přehrávání/žlutá
  - ▶▶ Rychlý chod vpřed/modrá
  - Spustit nahrávání
  - Stop/zelená
  - || Pauza/purpurová
6. Tlačítko Shift
7. Menu: Otevření menu přístroje
8. Tlačítko režimu pro volbu sekundární skupiny přístrojů
9. Vol+/Vol-: Regulace hlasitosti
10. Setup: Nastavení dálkového ovládání
11. Číselná tlačítka 0-9
12. Smart TV: Otevření Smart TV menu (pokud koncové zařízení podporuje)  
Shift+Smart TV: Výběr externího zdroje AV
13. APPS: Otevření menu aplikace (pokud koncové zařízení podporuje)  
Shift + APPS: Přechod k dvoumístným číslům kanálů
14. PROG+/PROG-: Volba programu, nahoru/dolů
15. EXIT: Opustit menu přístroje
16. OK: Potvrdit volbu
17. EPG: Elektronický průvodce programem (pokud je podporován zvoleným přístrojem AV)
18. Informace: Informace na obrazovce (pokud podporováno přístrojem AV)
19. Text VYP: Opustit teletext
20. Power: ZAP/VYP / LED dioda

### 1. Vysvětlení symbolu upozornění

#### Upozornění



Tento symbol označuje bezpečnostní upozornění, které poukazuje na určitá rizika a nebezpečí.

#### Poznámka



Tento symbol označuje dodatečné informace nebo důležité poznámky.

### 2. Obsah balení

- Univerzální dálkové ovládání
- Seznam kódů
- Tento návod k obsluze

### 3. Bezpečnostní pokyny

- Univerzální dálkové ovládání nepoužívejte ve vlhkém prostředí a zabraňte kontaktu se stříkající vodou.
- Univerzální dálkové ovládání neumísťujte v blízkosti tepelných zdrojů a nevystavujte ho přímému slunečnímu záření.
- Zabraňte pádu univerzálního dálkového ovládání.
- Univerzální dálkové ovládání neotvírejte. Neobsahují žádné části vyžadující údržbu uživatelem.
- Univerzální dálkové ovládání, stejně jako všechny ostatní elektrické přístroje, nepatří do rukou dětí.
- Výrobek je určen pro soukromé, nevydělečné použití.
- Výrobek použijte výhradně ke stanovenému účelu.
- Výrobek chraňte před znečištěním. Nepoužívejte ve vlhkém prostředí a zabraňte styku s vodou. Používejte pouze v suchých prostorách.
- Výrobek nepoužívejte na místech, kde je používání elektronických zařízení zakázáno.
- Výrobek chraňte před pádem a velkými otřesy.
- Výrobek žádným způsobem neupravujte, ztratíte tím nárok na záruku.
- Obalový materiál odložte mimo dosahu dětí, hrozí riziko udušení.
- Vybíte baterie bez odkladu vyměňte a zlikvidujte dle platných předpisů.
- Přístroj nepoužívejte mimo rozsah předepsaných hodnot v technických údajích.
- Výrobek neotvírejte a v případě poškození již dále nepoužívejte.
- Do výrobku nezasahujte a neopravujte ho. Veškeré úkony údržby přenechejte příslušnému odbornému personálu.
- Tento produkt používejte pouze v mírných klimatických podmínkách.

## Upozornění – Baterie



- Při vkládání baterií vždy dbejte na správnou polaritu (+ a -). Při nesprávné polaritě hrozí nebezpečí vytečení baterií nebo exploze.
- Používejte výhradně akumulátory (nebo baterie) odpovídající udanému typu.
- Před vložením baterií vyčistěte všechny kontakty.
- Výměnu baterií dětem vykonávejte pouze pod dohledem dospělé osoby.
- Pro napájení tohoto výrobku nekombinujte staré a nové baterie, ani různé typy a značky baterií
- Vyjměte baterie, pokud se výrobek nebude delší dobu používat. (Výjimku tvoří přístroje určené pro nouzové případy)
- Baterie nepřemostujte.
- Baterie nenabíjejte.
- Baterie nevhazujte do ohně.
- Baterie uchovávejte mimo dosah dětí.
- Baterie nikdy neotvírejte, nepoškozujte, nepolykejte a nevyhazujte do přírody. Mohou obsahovat jedovaté těžké kovy škodící životnímu prostředí.
- Vybité baterie bez odkladu vyměňte a zlikvidujte dle platných předpisů.
- Vyhněte se skladování, nabíjení a používání při extrémních teplotách a extrémně nízkém tlaku vzduchu (např. ve vysokých výškách).

## 4. První kroky - vložení baterií

### Poznámka



- Doporučujeme použití alkalických baterií. Použijte dvě baterie typu „AAA“ (LR 03/micro).
- Sejměte kryt přihrádky na baterie na zadní straně univerzálního dálkového ovládacího zařízení.
- Vložte baterie, dbejte na označení polarit „+/-“.
- Kryt přihrádky na baterie uzavřete.

### Poznámka – Paměť kódů



Při výměně baterií zůstávají vámi naprogramované kódy uloženy až na 10 minut. Dbejte na to, aby nebyla stisknuta žádná tlačítka, pokud nejsou v dálkovém ovládacím režimu. Pokud stisknete tlačítko a v dálkovém ovládacím režimu nejsou vloženy baterie, všechny kódy se vymažou.

## Poznámka – Funkce úspory energie



Dálkové ovládání se vypíná automaticky, pokud je tlačítko stisknuto déle než 15 sekund. To prodlužuje životnost baterií, pokud by dálkové ovládání někde uvízlo a byla trvale stisknuta tlačítka, např. mezi polštáři gauče.

## 5. Setup

### Poznámka



- Pro správný přenos infračerveného signálu držte dálkové ovládání vždy nasměřováno v přibližném směru obsluhovaných přístrojů.
- Stiskněte tlačítko „MODE“ pro volbu sekundární skupiny přístrojů: AUX, AMP, DVB-T, CBL.
- Stiskněte tlačítko „SHIFT“ pro ovládání modrých funkčních tlačítek. Funkce Shift se deaktivuje opětovným stisknutím tlačítka „SHIFT“ nebo automaticky po 30 sekundách, pokud není stisknuto žádné tlačítko.
- Pokud během 30 sekund nedojde k žádnému zadání, režim SETUP (nastavení) se automaticky ukončí. Diody LED zabliká šestkrát a pak zhasne.
- Každý typ přístroje je možné programovat pod libovolným tlačítkem přístroje, např. je možné televizor naprogramovat pod DVD, AUX atd.
- Pomocí univerzálního dálkového ovládacího zařízení nemůžete obsluhovat žádný přístroj, pokud se ovládání nachází v režimu Setup. Opusťte režim Setup a pomocí tlačítek volby přístroje zvolte ovládaný přístroj.

### 5.1 Přímé zadání kódu

Součástí dodávky univerzálního dálkového ovládacího zařízení je seznam kódů. Seznam kódů zobrazuje čtyřmístné kódy většiny výrobců přístrojů AV v abecedním pořadí, po skupinách podle typu přístroje (např. TV, DVD atd.). Pokud se obsluhovaný přístroj nachází na seznamu kódů, pak je nejsnadnějším postupem zadání přímé zadání kódu.

- 5.1.1 Zapněte ovládaný přístroj.
- 5.1.2 Stiskněte tlačítko „SETUP“, dokud se LED dioda trvale nerozsvítí.
- 5.1.3 Pomocí tlačítka přístroje zvolte ovládaný přístroj (např. TV). Při úspěšném výběru blikne dioda LED jednou a poté svítí trvale.
- 5.1.4 Vyhledejte v seznamu kódů značku a typ obsluhovaného přístroje.
- 5.1.5 Pomocí číselných tlačítek 0-9 zadejte odpovídající čtyřmístný kód. Dioda LED potvrdí zadání jednotlivých číslic vždy krátkým bliknutím a po čtvrté číslici zhasne.

#### Poznámka



- Platný kód se automaticky uloží.
- V případě zadání neplatného kódu zabliká dioda LED šestkrát a poté zhasne. Opakujte kroky 5.1.1 až 5.1.5, nebo použijte pro zadání kódu jinou metodu.

#### 5.2 Manuální hledání kódu

Univerzální dálkové ovládaní má k dispozici interní paměť, ve které je již uloženo až 350 kódů každého typu přístroje pro obvyklé přístroje AV. Můžete tyto kódy procházet, až obsluhovaný přístroj zareaguje. Například se obsluhovaný přístroj vypne (tlačítko „POWER“) nebo změní předvolbu (tlačítko „PROG+/PROG-“).

- 5.2.1 Zapněte ovládaný přístroj.
- 5.2.2 Držte stisknuté tlačítko „SETUP“, dokud se nerozsvítí LED dioda.
- 5.2.3 Pomocí tlačítka přístroje zvolte ovládaný přístroj (např. TV). Při úspěšném výběru blikne dioda LED jednou a poté svítí trvale.
- 5.2.4 Stiskněte tlačítko „POWER“ nebo „PROG+/PROG-“ pro listování předem nastavenými kódy, až obsluhovaný přístroj zareaguje.
- 5.2.5 Stiskněte „MUTE(OK)“ pro uložení kódu a opuštění hledání kódu. Dioda LED zhasne.

#### Poznámka



V interní paměti může být uloženo maximálně 350 kódů obvyklých přístrojů. Kvůli velkému množství přístrojů AV na trhu se může stát, že jsou k dispozici pouze obvyklé nejdůležitější funkce. Pokud tomu tak skutečně je, opakujte kroky 5.2.1 až 5.2.5 pro nalezení kódu, který je kompatibilnější. Pro některé speciální modely přístrojů není případně k dispozici žádný kód.

#### 5.3 Automatické hledání kódu

Automatické hledání kódu používá stejné přednastavené kódy jako manuální hledání kódu (5.2). Univerzální dálkové ovládaní prohledá ale kódy automaticky, až obsluhovaný přístroj zareaguje. Například se obsluhovaný přístroj vypne (tlačítko „POWER“) nebo změní předvolbu (tlačítko „PROG+/PROG-“).

- 5.3.1 Zapněte ovládaný přístroj.
- 5.3.2 Držte stisknuté tlačítko „SETUP“, dokud se nerozsvítí LED dioda.
- 5.3.3 Pomocí tlačítka přístroje zvolte ovládaný přístroj (např. TV). Při úspěšném výběru blikne dioda LED jednou a poté svítí trvale.
- 5.3.4 Stiskněte tlačítko „PROG+/PROG-“ nebo „POWER“ pro spuštění automatického hledání kódu. Dioda LED zabliká jednou a poté svítí trvale. Trvá 6 sekund, než univerzální dálkové ovládaní spustí první hledání.

#### Poznámka – Nastavení rychlosti hledání



Standardní nastavení intervalu hledání kódů je 1 sekunda. Pokud s tímto nastavením nejste spokojeni, můžete nastavit interval 3 sekundy. Pro přepínání mezi intervaly stiskněte tlačítko „PROG+“ nebo „PROG-“ během 6 sekund před spuštěním automatického hledání.

- 5.3.5 Dioda LED potvrdí příslušná hledání kódu jednotlivým bliknutím.
- 5.3.6 Stiskněte „MUTE(OK)“ pro uložení kódu a opuštění hledání kódu. Dioda LED zhasne.
- 5.3.7 Pro přerušování automatického hledání během vyhledávání stiskněte tlačítko „EXIT“.

#### Poznámka



Pokud byly prohledány všechny kódy bez úspěchu, opustí univerzální dálkové ovládaní automatické hledání kódu a navrátí se automaticky zpět do provozního režimu. Aktuálně uložený kód zůstane nezměněný.

## 5.4 Rozpoznání kódu

Rozpoznání kódu Vám nabízí možnost stanovit již dříve zadaný kód.

- 5.4.1 Držte stisknuté tlačítko „SETUP“, dokud se nerozsvítí LED dioda.
- 5.4.2 Pomocí tlačítka přístroje zvolte ovládaný přístroj (např. TV). Při úspěšném výběru blikne dioda LED jednou a poté svítí trvale.
- 5.4.3 Stiskněte tlačítko „SETUP“. Dioda LED zabliká jednou a poté svítí trvale.
- 5.4.4 Pro hledání první číslice stiskněte některé z číselných tlačítek 0 až 9. Dioda LED zabliká jednou pro první číslici čtyřmístného čísla kódu.
- 5.4.5 Opakujte krok 5.4.4 pro druhou, třetí a čtvrtou číslici.

CODES			
TV	VCR	SAT	DVD
AUX	AMP	CBL	DVBT

## 6. Zvláštní funkce

### 6.1 Přepínání Punch-Through

Pomocí funkce přepínání Punch-Through mohou příkazy PROG+ nebo PROG- obojí aktuálně obsluhovaný přístroj a přepnout předvolby druhého přístroje. Všechny ostatní příkazy tím nejsou ovlivněny.

Funkci přepínání Punch-Through aktivujete takto:

- Stiskněte požadované tlačítko přístroje (např. TV)
- Držte stisknuto tlačítko „PROG+“.
- Stiskněte požadované tlačítko přístroje (např. SAT)
- Tlačítko „PROG+“ opět pusťte (při aktivovaném nastavení dioda LED jednou zabliká).

Funkci přepínání Punch-Through deaktivujete takto:

- Stiskněte požadované tlačítko přístroje (např. TV)
- Držte stisknuto tlačítko „PROG-“.
- Stiskněte požadované tlačítko přístroje (např. SAT)
- Tlačítko „PROG-“ opět pusťte (kontrolka LED bliká dvakrát, pokud je nastavení deaktivováno).

### 6.2 Hlasitost Punch-Through

Pomocí funkce hlasitost Punch-Through mohou příkazy VOL+ nebo VOL- obojí aktuálně obsluhovaný přístroj pro změnu hlasitosti druhého přístroje. Všechny ostatní příkazy tím nejsou ovlivněny.

Funkci hlasitost Punch-Through aktivujete takto:

- Stiskněte požadované tlačítko přístroje (např. TV)
- Držte stisknuto tlačítko „VOL+“.
- Stiskněte požadované tlačítko přístroje (např. SAT)
- Tlačítko „VOL+“ opět pusťte (při aktivovaném nastavení dioda LED jednou zabliká).

Funkci hlasitost Punch-Through deaktivujete takto:

- Stiskněte požadované tlačítko přístroje (např. TV)
- Držte stisknuto tlačítko „VOL-“.
- Stiskněte požadované tlačítko přístroje (např. SAT)
- Tlačítko „VOL-“ opět pusťte (kontrolka LED bliká dvakrát, pokud je nastavení deaktivováno).

### 6.3 Macro Power

Pomocí funkce Macro Power můžete současně zapínat/vypínat dva přístroje AV.

Funkci Macro Power aktivujete takto:

- Stiskněte požadované tlačítko přístroje (např. TV)
- Držte stisknuto tlačítko „POWER“.
- Stiskněte požadované tlačítko přístroje (např. SAT)
- Tlačítko „POWER“ opět pusťte (při aktivovaném nastavení dioda LED jednou zabliká).

Funkci Macro Power deaktivujete takto:

- Stiskněte požadované tlačítko přístroje (např. TV)
- Držte stisknuto tlačítko „POWER“.
- Stiskněte požadované tlačítko přístroje (např. SAT)
- Tlačítko „POWER“ opět pusťte (kontrolka LED bliká dvakrát, pokud je nastavení deaktivováno).

## 7. ÚDRŽBA

- V univerzálním dálkovém ovládaní nikdy současně nepoužívejte staré a nové baterie, staré baterie by mohly vytéct nebo způsobit ztrátu výkonu.
- Univerzální dálkové ovládaní nikdy nečistěte abrazivními nebo agresivními čisticími prostředky.
- Univerzální dálkové ovládaní udržujte bez prachu, čistěte ho suchým a měkkým hadříkem.

---

## 8. ODSTRANĚNÍ ZÁVAD

- O. Mé univerzální dálkové ovládání nefunguje!
- o. Zkontrolujte přístroj AV. Pokud je hlavní vypínač přístroje vypnutý, pak nemůže univerzální dálkové ovládání přístroj obsluhovat.
- o. Zkontrolujte, zda jsou baterie správně vloženy a zda je dodržena jejich polarita.
- o. Zkontrolujte, zda jste stiskli odpovídající tlačítko přístroje pro přístroj.
- o. Při nízkém stavu nabití baterie vyměňte.
- O. Pokud je pro značku mého přístroje AV na seznamu uvedeno několik kódů přístroje, jak zvolím správný kód přístroje?
- o. Pro určení správného kódu přístroje pro přístroj AV testujte postupně kódy tak dlouho, až správně funguje většina tlačítek.
- O. Můj přístroj AV reaguje pouze na některé příkazy tlačítek.
- o. Zkoušejte jiné kódy tak dlouho, až správně funguje většina tlačítek.

## 9. Pokyny k likvidaci

### Ochrana životního prostředí:



Evropská směrnice 2012/19/EU a 2006/66/EU ustanovujete následující: Elektrická a elektronická zařízení stejně jako baterie nepatří do domovního odpadu. Spotřebitel se zavazuje odevzdat všechna zařízení a baterie po uplynutí jejich životnosti do příslušných sběren. Podrobnosti stanoví zákon příslušné země. Symbol na produktu, návod k obsluze nebo balení na toto poukazuje. Recyklací a jinými způsoby využití přispíváte k ochraně životního prostředí.

Ďakujeme Vám, že ste sa rozhodli pre kúpu výrobku Hama. Venujte chvíľu času a prečítajte si všetky nasledujúce pokyny a informácie. Návod na použitie uschovajte na bezpečnom mieste pre prípadné použitie v budúcnosti.

## Funkčné tlačidlá

1. Vypínač zvuku
2. Tlačidlá pre výber zariadení
3. Text ZAP: zapnutie teletextu
4. Podržať: podržať aktuálnu stránku teletextu
5. ◀◀ spätné pretáčanie/červená  
▶▶ prehrávanie/žltá  
▶▶ rýchlo vpred/modrá  
● spustenie nahrávania  
■ Stop/zelená  
|| pauza/fialová
6. Tlačidlo Shift
7. Menu: otvorenie menu zariadenia
8. Tlačidlo režimov pre výber sekundárnej skupiny zariadení
9. Vol+/Vol-: regulácia hlasitosti
10. Setup: Nastavenia diaľkového ovládania
11. Číslkové tlačidlá 0-9
12. Smart TV: otvorí ponuku Smart TV (ak ho podporuje koncové zariadenie)  
Shift + Smart TV: zvolí externý AV zdroj
13. APPS: otvorí ponuku aplikácie (ak ho podporuje koncové zariadenie)  
Shift + APPS: zmení na dvojmiestne čísla kanálov
14. PROG+/PROG-: výber programov, nahor/nadol
15. EXIT: opustenie menu zariadenia
16. OK: potvrdenie voľby
17. EPG: elektronický sprievodca programom (ak je táto funkcia zvoleným AV zariadením podporovaná)
18. Info: informácie na obrazovke (ak AV zariadenie túto funkciu podporuje)
19. Text VYP: opustenie teletextu
20. 2Power: ZAP/VYP / LED dióda

## 1. Vysvetlenie upozorňujúceho symbolu

### Upozornenie



Tento symbol označuje bezpečnostné upozornenie, ktoré poukazuje na určité riziká a nebezpečenstva.

## Poznámka



Tento symbol označuje dodatočné informácie, alebo dôležité poznámky.

## 2. Obsah dodávky

- Univerzálny diaľkový ovládač
- Zoznam kódov
- Tento návod na obsluhu

## 3. Bezpečnostné upozornenia

- Univerzálny diaľkový ovládač nepoužívajte vo vlhkom prostredí a zabráňte kontaktu so striekajúcou vodou.
- Univerzálny diaľkový ovládač odkladajte mimo dosahu tepelných zdrojov a nevystavujte ho priamemu slnečnému žiareniu.
- Univerzálny diaľkový ovládač chráňte pred pádmi a veľkými otrasmi.
- Univerzálny diaľkový ovládač neotvárajte. Neobsahuje časti, ktoré by si vyžadovali údržbu zo strany zákazníka.
- Univerzálny diaľkový ovládač, rovnako ako iné elektrické zariadenia, nepatrí do detských rúk.
- Tento výrobok je určený na súkromné použitie v domácnosti, nie je určený na komerčné použitie.
- Výrobok používajte výhradne na stanovený účel.
- Výrobok chráňte pred znečistením. Nepoužívajte vo vlhkom prostredí a zabráňte styku s vodou. Používajte iba v suchých priestoroch.
- Výrobok nepoužívajte na miestach, kde je používanie elektronických zariadení zakázané.
- Výrobok chráňte pred pádmi a veľkými otrasmi.
- Výrobok žiadnym spôsobom neupravujte, stratíte tým nárok na záruku.
- Obalový materiál odložte mimo dosahu detí, hrozí riziko udusenía.
- Obalový materiál zlikvidujte podľa platných predpisov o likvidácii.
- Prístroj nepoužívajte mimo rozsahu predpísaných hodnôt v technických údajoch.
- Výrobok neotvárajte a v prípade poškodenia ho ďalej nepoužívajte.
- Do výrobku nezasahujte a neopravujte ho. Akékoľvek úkony údržby prenechajte príslušnému odbornému personálu.
- Výrobok používajte len v miernych klimatických podmienkach.

## Upozornenie – Batérie



- Pri vkladani batérií vždy dbajte na správnu polaritu (+ a -). Pri nesprávnej polarite hrozí nebezpečenstvo vytečenia batérií alebo explózie.
- Používajte výhradne akumulátory (alebo batérie) zodpovedajúce udanému typu.
- Pred vložením batérií vyčistite všetky kontakty.
- Deti smú vymieňať batérie iba pod dohľadom dospelých osoby.
- Na napájanie tohto výrobku nekombinujte staré a nové batérie, ani rôzne typy a značky batérií.
- Ak sa výrobok nebude dlhší čas používať, vyberte z neho batérie. (Výnimkou sú prístroje určené pre núdzové prípady).
- Batérie neskratujte.
- Batérie nenabíjajte.
- Batérie nevhadzujte do ohňa.
- Batérie uchovávajte mimo dosahu detí.
- Batérie nikdy neotvárajte, zabráňte ich poškodeniu, prehltnutiu alebo uniknutiu do životného prostredia. Môžu obsahovať jedovaté ťažké kovy, škodlivé pre životné prostredie.
- Vybité batérie bezodkladne vymeňte a zlikvidujte podľa platných predpisov.
- Vyhýbajte sa skladovaniu, nabíjaniu a používaniu pri extrémnych teplotách a extrémne nízkom tlaku vzduchu (ako napr. vo veľkých výškach).

## 4. Prvé kroky - vloženie batérií

### Poznámka



- Odporúča sa použiť alkalické batérie. Použite dve batérie typu „AAA“ (LR 03/Micro).
- Odstráňte kryt batériovej priehradky na zadnej strane univerzálneho diaľkového ovládania.
- Vložte batérie, dbajte na správnu polaritu (symboly +/-).
- Zatvorte batériovú priehradku.

### Poznámka – Pamäť kódov



Počas výmeny batérie zostanú všetky naprogramované kódy uložené na 10 minút. Dbajte na to, aby ste nestlačili žiadne tlačidlá predtým, než boli vložené nové batérie do diaľkového ovládača. Ak nejaké tlačidlo stlačíte, kým v diaľkovom ovládači nie sú vložené batérie, všetky kódy sa vymažú.

## Poznámka – Funkcia šetrenia batérie



Diaľkové ovládanie sa vypne automaticky, ak bude tlačidlo stlačené dlhšie ako 15 sekúnd. Takto sa šetrí energia batérie, ak diaľkové ovládanie uviazne v polohe, v ktorej budú tlačidlá stále stlačené, napríklad medzi vankúšmi na pohovke.

## 5. Nastavenie

### Poznámka



- Pre správny prenos infračerveného signálu nasmerujte diaľkový ovládač v približnom smere ovládaného zariadenia.
- Stlačte tlačidlo „MODE“ pre výber sekundárnej skupiny zariadení AUX, AMP, DVB-T, CBL.
- Stlačte tlačidlo Shift na použitie modrých funkčných tlačidiel. Funkciu Shift je možné deaktivovať opätovným stlačením tlačidla Shift, alebo sa vypne automaticky, ak počas cca. 30 sekúnd nestlačíte žiadne tlačidlo.
- Ak do cca 30 sekúnd nebudú zadané žiadne údaje, ukončí sa nastavovací režim. LED dióda zabliká šesťkrát a zhasne.
- Každý typ zariadenia je možné programovať pod ľubovoľným tlačidlom zariadenia, televízny prijímač môžete naprogramovať napr. pod DVD, AUX atď.
- Pomocou univerzálneho diaľkového ovládača nie je možné obsluhovať zariadenie, kým sa ešte nachádza v nastavovacom režime. Opustíte nastavovací režim a zariadenie, ktoré sa má ovládať, vyberte pomocou tlačidiel pre výber zariadení.

### 5.1 Priame zadanie kódu

Súčasťou dodávky univerzálneho diaľkového ovládania je zoznam kódov. Zoznam kódov zobrazuje štvormiestne kódy väčšiny výrobcov AV zariadení v abecednom poradí, zoradené podľa typu zariadenia (napr. TV, DVD atď.). Ak je zariadenie, ktoré sa má ovládať, v zozname kódov uvedené, je priame zadávanie kódov najjednoduchšia zadávacia metóda.

- 5.1.1 Zapnite zariadenie, ktoré má byť ovládané.
- 5.1.2 Stlačte tlačidlo „SETUP“, až sa trvale rozsvieti LED.
- 5.1.3 Pomocou tlačidla zariadenia zvolte zariadenie, ktoré sa má ovládať (napr. TV). Pri úspešnom výbere LED dióda zabliká raz a ostane svietiť.

5.1.4 Vyhľadajte v zozname kódov značku a typ ovládaného zariadenia.

5.1.5 Zadajte pomocou číselných tlačidiel 0-9 príslušný 4-miestny kód ovládaného zariadenia. LED dióda potvrdí zadanie jednotlivých čísel vždy krátkym zablikaním a po zadaní štvrtjej číslice zhasne.

#### Poznámka



- Platný kód sa uloží automaticky.
- Pri zadaní neplatného kódu zabliká LED dióda šesťkrát a potom zhasne. Opakujte kroky 5.1.1 až 5.1.5 alebo použite inú metódu na zadanie kódov.

## 5.2 Manuálne hľadanie kódov

Univerzálne diaľkové ovládanie je vybavené internou pamäťou, v ktorej je pre najbežnejšie AV zariadenia už uložených 350 kódov na každý typ. Týmito kódmi môžete prechádzať, kým zariadenie príslušne zareaguje. Ovládané zariadenie sa napríklad vypne (tlačidlo „POWER“) alebo prepne na iný program (tlačidlo „PROG+/PROG-“).

- 5.2.1 Zapnite zariadenie, ktoré má byť ovládané.
- 5.2.2 Stlačte a podržte tlačidlo SETUP, kým sa trvale rozsvieti LED dióda.
- 5.2.3 Pomocou tlačidla zariadenia zvolte zariadenie, ktoré sa má ovládať (napr. TV). Pri úspešnom výbere LED dióda zabliká raz a ostane svietiť.
- 5.2.4 Na listovanie medzi prednastavenými kódmi stlačte tlačidlo „POWER“ alebo „PROG+/PROG-“, kým ovládané zariadenie príslušne zareaguje.
- 5.2.5 Na uloženie kódu a opustenie režimu vyhľadávania kódov stlačte tlačidlo „MUTE(OK)“. LED dióda zhasne.

#### Poznámka



V internej pamäti je možné uložiť maximálne 350 kódov najbežnejších zariadení. Z dôvodu veľkého počtu na trhu dostupných AV zariadení sa môže stať, že sú dostupné len najbežnejšie hlavné funkcie. V takomto prípade opakujte kroky 5.2.1 až 5.2.5 pre nájdenie kompatibilnejšieho kódu. Je možné, že pre niektoré špeciálnejšie modely zariadení, nebude dostupný žiaden kód..

## 5.3 Automatické vyhľadanie kódu

Automatické vyhľadanie kódu používa tie isté prednastavené kódy ako manuálne hľadanie kódov (5.2). Univerzálne diaľkové ovládanie ale prehľadáva kódy automaticky, kým ovládané zariadenie príslušne zareaguje. Ovládané zariadenie sa napríklad vypne (tlačidlo „POWER“) alebo prepne na iný kanál (tlačidlá „PROG+/PROG-“).

- 5.3.1 Zapnite zariadenie, ktoré má byť ovládané.
- 5.3.2 Stlačte a podržte tlačidlo „SETUP“, kým sa rozsvieti LED dióda.
- 5.3.3 Pomocou tlačidla zariadenia zvolte zariadenie, ktoré sa má ovládať (napr. TV). Pri úspešnom výbere LED dióda zabliká raz a ostane svietiť.
- 5.3.4 Na spustenie automatického vyhľadávania kódov stlačte tlačidlo „PROG+/PROG-“ alebo „POWER“. LED dióda zabliká raz a ostane svietiť. Trvá 6 sekúnd, než univerzálne diaľkové ovládanie začne s prvým vyhľadávaním.

#### Poznámka – Nastavenie rýchlosti vyhľadávania



Štandardné nastavenie intervalu hľadania kódov je 1 sekunda. Ak s týmto nastavením nie ste spokojní, môžete nastaviť interval 3 sekundy. Na prepínanie medzi intervalmi stlačte tlačidlo „PROG+“ alebo „PROG-“ v priebehu 6 sekúnd pred spustením automatického hľadania.

- 5.3.5 LED dióda potvrdzuje príslušné vyhľadanie kódov jednotlivým zablikaním.
- 5.3.6 Na uloženie kódu a opustenie režimu vyhľadávania kódov stlačte tlačidlo „MUTE(OK)“. LED dióda zhasne.
- 5.3.7 Na prerušenie automatického hľadania v priebehu vyhľadávania, stlačte tlačidlo „EXIT“.

#### Poznámka



Po neúspešnom prehľadaní všetkých kódov opustí univerzálne diaľkové ovládanie režim automatického vyhľadávania kódov a vráti sa automaticky do prevádzkového režimu. Aktuálne uložený kód zostane nezmenený.



## 5.4 Identifikácia kódu

Identifikácia kódu Vám umožňuje zistenie už zadaného kódu.

- 5.4.1 Stlačte a podržte tlačidlo „SETUP“, kým sa rozsvieti LED dióda.
- 5.4.2 Pomocou tlačidla zariadenia zvolte zariadenie, ktoré sa má ovládať (napr. TV). Pri úspešnom výbere LED dióda zabliká raz a ostane svietiť..
- 5.4.3 Stlačte tlačidlo „SETUP“. LED dióda zabliká raz a ostane svietiť..
- 5.4.4 Na vyhľadanie prvej číslice stlačte niektoré z číselných tlačidiel od 0 do 9. LED zablikne raz pre prvú číslicu štvormiestneho čísla kódu.
- 5.4.5 Zopakujte krok 5.4.4 pre druhú, tretiu a štvrtú číslicu.

CODES			
TV	VCR	SAT	DVD
AUX	AMP	CBL	DVBT

## 6. Zvláštne funkcie

### 6.1 Prepínanie Punch-Through

Pomocou prepínania Punch-Through môžu príkazy PROG+ alebo PROG- obísť aktuálne ovládané zariadenie a môžu prepínať stanice druhého zariadenia. Ostatné príkazy tým nie sú ovplyvnené.

Pri aktivácii funkcie Punch-Through postupujte nasledovne:

- Stlačte želané tlačidlo zariadenia (napr. TV).
- Podržte tlačidlo „PROG+“ stlačené.
- Stlačte želané tlačidlo zariadenia (napr. SAT)
- Teraz pusťte tlačidlo „PROG+“ (LED dióda blikne raz pri aktivovanom nastavení).

Pri deaktivácii funkcie Punch-Through postupujte nasledovne:

- Stlačte želané tlačidlo zariadenia (napr. TV).
- Podržte tlačidlo „PROG-“ stlačené.
- Stlačte želané tlačidlo zariadenia (napr. SAT)
- Teraz pusťte tlačidlo „PROG-“ (LED dióda zabliká dvakrát pri deaktivovaní nastavenia).

### 6.2 Funkcia Punch-Through pre hlasitosť

Pomocou funkcie Punch-Through pre hlasitosť môžu príkazy VOL+ alebo VOL- obísť aktuálne ovládané zariadenie a môžu nastaviť hlasitosť druhého zariadenia. Ostatné príkazy tým nie sú ovplyvnené.

Pri aktivácii funkcie Punch-Through pre hlasitosť postupujte nasledovne:

- Stlačte želané tlačidlo zariadenia (napr. TV).
- Podržte tlačidlo „VOL+“ stlačené.
- Stlačte želané tlačidlo zariadenia (napr. SAT)
- Teraz pusťte tlačidlo „VOL+“ (LED dióda blikne raz pri aktivovanom nastavení).

Pri deaktivácii funkcie Punch-Through pre hlasitosť postupujte nasledovne:

- Stlačte želané tlačidlo zariadenia (napr. TV).
- Podržte tlačidlo „VOL-“ stlačené.
- Stlačte želané tlačidlo zariadenia (napr. SAT)
- Teraz pusťte tlačidlo „VOL-“ (LED dióda zabliká dvakrát pri deaktivovaní nastavenia).

### 6.3 Macro Power

Pomocou funkcie Macro Power môžete dve AV zariadenia súčasne zapínať/vypínať.

Pri aktivácii funkcie Macro Power postupujte nasledovne:

- Stlačte želané tlačidlo zariadenia (napr. TV).
- Podržte tlačidlo „POWER“ stlačené.
- Stlačte želané tlačidlo zariadenia (napr. SAT)
- Teraz pusťte tlačidlo „POWER“ (LED dióda blikne raz pri aktivovanom nastavení).

Pri deaktivácii funkcie Macro Power postupujte nasledovne:

- Stlačte želané tlačidlo zariadenia (napr. TV).
- Podržte tlačidlo „POWER“ stlačené.
- Stlačte želané tlačidlo zariadenia (napr. SAT)
- Teraz pusťte tlačidlo „POWER“ (LED dióda zabliká dvakrát pri deaktivovaní nastavenia).

## 7. ÚDRŽBA

- V univerzálnom diaľkovom ovládaní nikdy nepoužívajte súčasne staré a nové batérie, pretože staré batérie sú náchylné k vytečeniu alebo môžu viesť k strate výkonu.
- Univerzálne diaľkové ovládanie v žiadnom prípade nečistite abrazívnymi prostriedkami alebo agresívnymi čistiacimi prostriedkami.
- Univerzálne diaľkové ovládanie zbavujte prachu čistením suchou a mäkkou utierkou.

## 8. ODSTRÁŇOVANIE PORÚCH

- O. Môj univerzálny diaľkový ovládač nefunguje!
- o. Skontrolujte AV zariadenie. Ak je vypnutý hlavný vypínač zariadenia, nemôže univerzálne diaľkové ovládanie zariadenie ovládať.
- o. Ubezpečte sa, že sú správne vložené batérie a že bola rešpektovaná správna polarita.
- o. Ubezpečte sa, či bolo stlačené príslušné tlačidlo pre voľbu zariadenia.
- o. Vymeňte batérie pri nízkom stave nabitia batérií.
- O. Ak sú pre značku môjho AV zariadenia uvedené viaceré kódy, čo musím urobiť pre voľbu správneho kódu zariadenia?
- o. Na určenie správneho kódu pre AV zariadenie testujte kódy postupne dovtedy, kým bude väčšina tlačidiel správne fungovať.
- O. Moje AV zariadenie reaguje len na niektoré tlačidlové povelý.
- o. Skúšajte iné kódy dovtedy, kým bude väčšina tlačidiel správne fungovať.

## 9. Pokyny pre likvidáciu

### Ochrana životného prostredia:





Európska smernica 2012/19/EU a 2006/66/EU stanovuje: Elektrické a elektronické zariadenia, rovnako ako batérie sa nesmú vyhadzovať do domáceho odpadu. Spotrebiteľ je zo zákona povinný zlikvidovať elektrické a elektronické zariadenia, rovnako ako batérie na miesta k tomu určené. Symbolizuje to obrázok v návode na použitie, alebo na balení výrobku. Opätovným zúžitkovaním alebo inou formou recyklácie starých zariadení/batérií prispievate k ochrane životného prostredia.

# ***hama***<sup>®</sup>

**Hama GmbH & Co KG**  
**86652 Monheim / Germany**

## **Service & Support**

 [www.hama.com](http://www.hama.com)

 +49 9091 502-0

**D** **GB**

**CE**

All listed brands are trademarks of the corresponding companies. Errors and omissions excepted, and subject to technical changes. Our general terms of delivery and payment are applied.

**00012362/09.20**